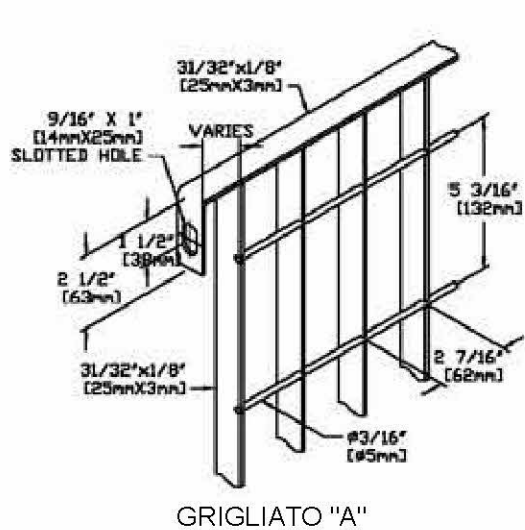


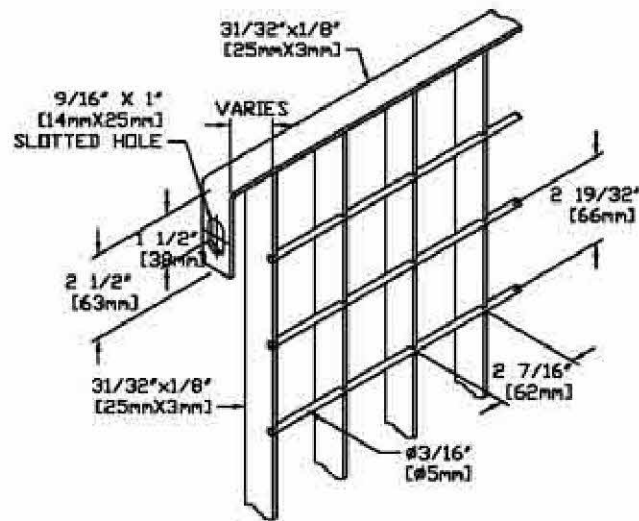
## Metalco Panels, type "Grigliato" Overview

Current Metalco Name	Old Metalco Name	Bar Distance	Rod Distance	Bar Type	Rod Type	lbs/sq.ft. Weight
Grigliato "A"	Grigliato I	2 7/16" (62)	5 3/16" (130)	31/32"x1/8" (25x3)	3/16" (5)	2.9
Grigliato "B"	none	2 7/16" (62)	2 19/32" (65)	31/32"x1/8" (25x3)	3/16" (5)	3.4
Grigliato "C"	Grigliato III	3 15/16" (96)	3 15/16" (96)	31/32"x1/8" (25x3)	3/16" (5)	1.8
Grigliato "D"	Grigliato IV	2 7/16" (62)	5 3/16" (130)	1 3/16"x5/32 (30x5)	1/4" (6)	5.4
Grigliato "E"	Grigliato V	1" (24)	5 3/16" (130)	31/32"x1/8" (25x3)	3/16" (5)	6.3
Grigliato "F"	none	1" (24)	1" (24)	31/32"x1/8" (25x3)	3/16" (5)	7.4
Grigliato "G"	none	2 3/8" (62)	4" (100)	31/32"x1/8" (25x3)	3/16" (5)	6.5
Grigliato "H"	Grigliato II	2 3/8" (62)	2" (50)	31/32"x1/8" (25x3)	3/16" (5)	3.4
Grigliato "J"	none	4 7/8" (125)	5 3/16" (130)	31/32"x1/8" (25x3)	3/16" (5)	1.6
Grigliato "K"	none	1 21/32" (40)	5 3/16" (130)	31/32"x1/8" (25x3)	3/16" (5)	4.1
Grigliato "L"	none	1 21/32" (40)	1 3/4" (45)	31/32"x1/8" (25x3)	3/16" (5)	4.5

(xx) = millimeters



GRIGLIATO "A"



GRIGLIATO "B"