

metalco[®]

Innovative Fence Systems



Architectural Beauty • Industrial Strength

TWINBAR Fencing System

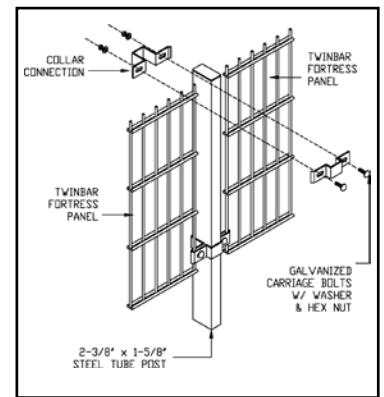


Highlights:

- Very Strong and Rigid Mesh Panels
- Great Durability
- Affordable Alternative to Chainlink
- Clean and Appealing Looks
- Well Suited for Highest Security Requirements
- Easy Installation
- 15 Year Warranty

Twinbar Fence System. Light in appearance yet extremely sturdy. Forge welded galvanized steel wire mesh with 1 vertical wire sandwiched between 2 horizontal wires. Suitable for medium to high security needs. Ideal for schools, playgrounds, airports, parks, sport facilities and many other residential or commercial applications.

Material:	Forge welded galvanized steel wire, 2/4/2 ga (6/5/6mm) double wire mesh
Mesh Size:	2" x 8" (50x200mm) tips on top or bottom
Finish:	Galvanized and Polyester Powder coated or galvanized only
Limited Warranty:	20 year against rust and corrosion
Security Rating:	Medium, High
Availability:	1 - 2 weeks for standard in stock, 8 weeks custom
Post Types:	Rectangular 1-5/8" x 2-3/8" and 1-5/8"x3"
Post Heights :	Stock 6'-0" and 8'-0", custom 4'-0", 4'-8", 5'-3" and 7'-3"
Post Hieghts:	Panel Height + 2'-0", Custom height up to 20'-0" for stacked panel install
Panel Length:	8'-3" [2510]
Colors:	Black and Green, Custom any color
Accessories:	Gates, Angled Top, Razor Wire Carrier, Base Plates
Special Options:	Custom design and fabrication for special applications such as enclosures, dog kennels and more



GRIGLIATO Fencing System

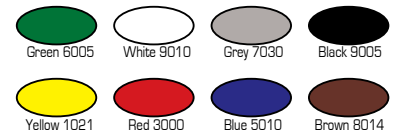
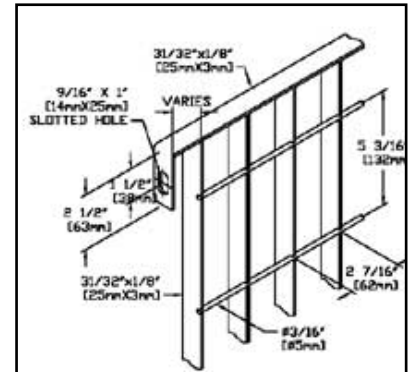


Highlights

- Extremely Durable
- Very Sturdy and Rigid
- 15 Year Warranty
- Unlimited Design Possibilities
- Suitable for Highest Security Demands
- Vandal Resistant

The Grigliato Fence System Heavy duty fence product for demanding industrial and commercial applications. It is offered in standard and custom specification for all types of installations. Our design and engineering team can work closely with architects, specifiers and planners to create custom solutions best suited for any project. The Grigliato system has been successfully installed in many demanding applications such as major league sport stadiums, schools, college and university facilities, parks, airports, power plants, postal facilities, military installations, chemical plants and more.

Material:	Electro Forge Welded mesh, steel bars and wire rods
Mesh Size:	11 different mesh sizes and shapes from 1" x 1" (25mm x 25mm) to 4-7/8" x 5-3/16" (125 x 130 mm)
Finish:	Galvanized and Polyester Powder Coated, Galvanized only or mill finish
Limited Warranty:	15 Years against rust and corrosion
Security Rating:	Medium, High, Highest depending on style
Availability:	Stock/Custom Manufactured, 4 - 6 weeks
Post Types:	2-3/8"x 1-5/8" rect., 2"x2", 3" x 3", 4" x 4" and any custom
Post Heights :	Panel height + 2'-0", any custom
Panel Heights:	3'-6", 4'-0", 5'-0", 6'-0", 8'-0" and any custom size as per design requirements
Panel Length:	Standard 6'-6", any custom
Colors:	As per color chart or any custom color
Accessories:	Gates, security options, special hardware, base plates and more
Special Options:	Angled tops, razor wire carrier, custom design and engineering service, electronic security system.



SECURITE Fencing System

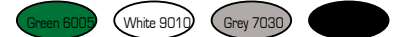
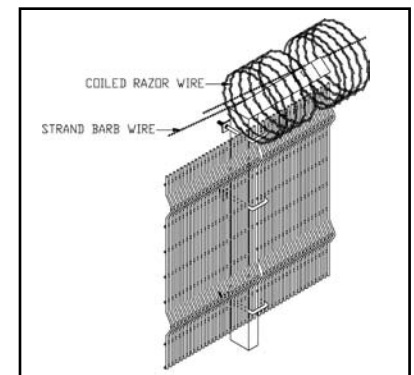


Highlights:

- Unclimbable
- Virtually Impenetrable
- Highest Security
- Maintenance Free
- Unobtrusive Appearance
- High Deterrent
- Many Electronic Monitoring Options
- Easy Installation

Securite Fence System. Welded wire mesh panel fence system. The Securite system is suitable for highest security applications such as prisons, airport, military etc. The small mesh size of 1/2" x 3" makes it virtually impossible to penetrate, very hard to climb and prevents passing through of objects (contraband, weapons). Finishes available are galvanized or galvanized and polyester powder coated in a variety of standard and custom colors. Different post and mounting options are available. The system can be installed with a vertical or horizontal mesh alignment. Panels can be mounted between, onto the front or across posts. SECURITE stands out with its translucent and unobtrusive appearance for good visibility which is important for effective security monitoring. Yet this fence system sends a clear message to would be intruders.

Material:	6 ga (4mm) welded steel wire mesh, also available with thicker 4 ga (5mm) wire
Mesh Size:	3" x 1/2" (76 x 12 mm) Galvanized and Polyester Powder Coated
Finish:	Standard Black, Green, Gray & White. Color Chart
Limited Warranty:	15 year against rust and corrosion
Security Rating:	Medium, High, Highest
Availability:	Stock 1-2 weeks
Post Types:	Rectangular 2-3/8"x 1-5/8" or 2-3/8" x 3" or C-Channel
Post Heights :	Panel height + 2'-0", any custom
Panel Heights:	Std. 8'-0" and custom on request, panels are stackable for taller fence heights.
Panel Length:	7'-3"
Colors:	As per color chart or any custom color
Accessories:	Gates, security options, special hardware, base plates and more
Special Options:	Angled tops, razor wire carrier, custom design and engineering service, electronic security system.



AMEGO Fencing System



Highlights:

- Very Affordable
- Great Value
- Easy Installation
- Flexibility
- 15 Year Warranty
- Design & Aesthetics
- Security Rating Low to Medium
- Custom Options for High Security

Amego Fence System. A stylish welded wire mesh fence system very competitively priced. Makes a great alternative to chainlink or expensive ornamental fence. The rectangular posts are available with attachment options for panel installation between posts or across the front of the posts. Secure and hard to climb. Subtle translucence that doesn't call attention to itself, but rather compliments the design integrity of your scheme. Advance manufacturing technologies allow us to provide a product of highest quality while offering a significantly lower price than leading competitors.

Material:	Electro Forge welded 5 ga [5.6mm] steel wire mesh
Mesh Size:	2" x 8" [50x200mm], tips on top or bottom
Finish:	Galvanized and Polyester Powder Coated
Limited Warranty:	15 year against rust and corrosion
Security Rating:	Low to Medium, but always higher than chainlink
Availability:	Stock 2-4 weeks, custom 8 weeks
Post Types:	Rectangular 2-3/8"x 1-5/8" (40 x 60mm)
Post Heights :	Panel height + 2'-0", any custom
Post Spacing:	Profile Post 8'-2 1/2" or 7'-3", Rect.Post = 7' - 8'-3"
Panel Heights:	4'-0", 5'-0", 6'-0", 8'-0"
Panel Length:	8'-3"
Color:	Black or Green, any custom color
Accessories:	Gates, security options, special hardware, base plates and more
Special Options:	Angled tops, razor wire carrier, custom design and engineering service, electronic security system

