

wetalco®

FENCING & RAILING SYSTEMS

05720/AME
BuyLine 0687

If you have a reason,
we have the railing.



GRIGLIATO Railing System

The real beauty of Grigliato is its versatility. The mesh patterns are available in a considerable range of sizes and strengths. As for color and configuration, your discretion dictates.



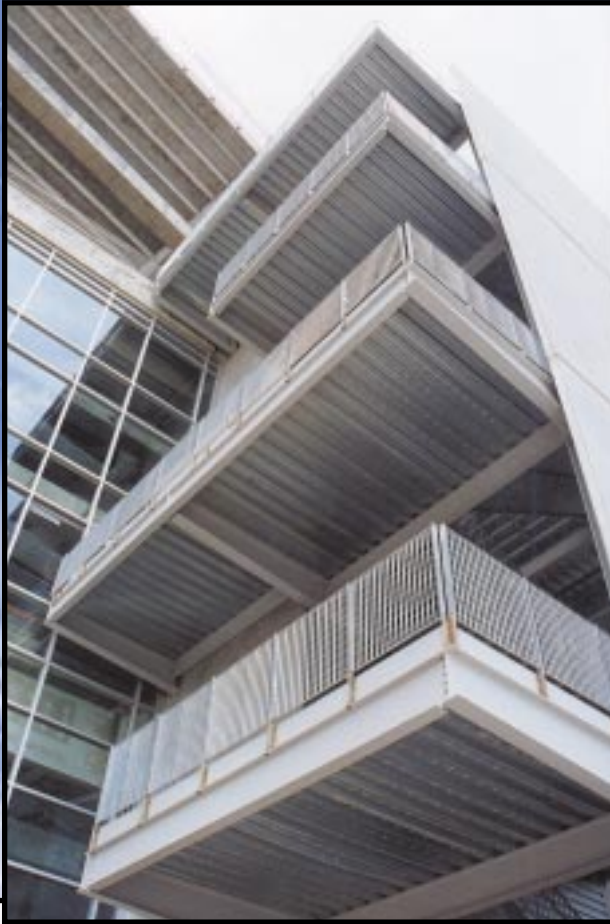
The Grigliato system was the railing system of choice at the new Steelers NFL Stadium in Pittsburgh, PA

For a catalog of our railing and fencing systems, please call us at **1-800-708-2526**, or fax us at **630-627-7912**

WEB SITE: www.metalco.tv
E-MAIL: info@metalco.tv

GRIGLIATO Railing System

Grigliato is the consummate railing solution for everything from window guards and infill panels to trash enclosures and perimeters. It's also ideal for inside uses such as stairwells, backdrops and displays.



GRIGLIATO Railing System

Why, you can even specify Grigliato around a football stadium.



8000 GRIGLIATO railing panels had been installed at the TN Titans Stadium, Nashville.



See our fencing section in Sweet's **02825/AME** or our website at www.amrgi.com for more information.

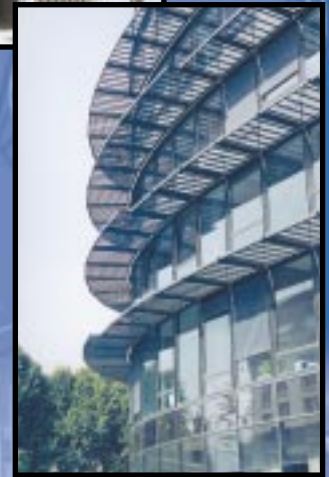


FINISH

Metalco fence and railing panels are protected by what we believe is the best finish available today. The computer controlled hot-dip galvanizing and the thermosetting polyester powder finish give the Metalco System the highest possible protection against rust and corrosion. The advanced polyester powder coating technology is environmentally friendly (no solvents, lead-free) and offers a large color selection.

METALCO Screen System

The Grigliato screen system can be used for all kinds of applications, including this parking garage.



Visual accents can be created by using a combination of different panel types.



Dumpster Enclosure

Here, the Grigliato SC is used to provide sun protection for this office building.



Parking Garage, Miami Beach, FL.

Its design and durability are the reasons the Grigliato screen system was selected for these parking garages.



US Postal Service, Distribution Facility

GRIGLIATO Railing System Specifications

MR-MANUFACTURER

Metalco® offers technical assistance to architects, engineers, contractors, owners and facility managers regarding the design and installation of our products. We have provided many custom solutions for unusual situations. Let our experienced engineers assist you in determining the optimum design for your project. Please contact Metalco® at 1-800-708-2526 to obtain our services. You also can contact us by e mail at info@metalco.tv or visit our Website at www.metalco.tv for additional information.

Atlantis Products, Inc.
Metalco Fence & Railing Systems
Tel: 630-971-9680, Toll Free 800-708-2526 Fax: 630-971-9680
Web: www.metalco.tv e-mail: info@metalco.tv

PP-PRODUCT PRESENTATION

The *Grigliato* railing system utilizes the strength and flexibility of the *Grigliato* panels from Metalco®. The *Grigliato* System enables us to offer an affordable modular system, which is practical, durable and sturdy. This unique railing system provides a wide variety of design solutions. It can be brightly colored and configured to be a design feature or it can blend inconspicuously with the surroundings.

The *Grigliato* panels are ideally suited for retrofitting existing railing systems, which are not in compliance with current building codes.

Grigliato is an electro-forged welded steel panel. The panels are hot-dip galvanized in accordance to ASTM 123B. Also available as an option is our extremely durable polyester powder finish.

Railing System

The *Grigliato* railing system can span between post supports or be mounted onto structurally suitable elements. An average post spacing of 3'-6" to 4'-0" for stairs and 3'-6" to 4'-6" is recommended. The system can span up to 12' if optional horizontal supports are used. See the CAD details that follow for additional information. Please contact Metalco® for engineering and design assistance when preparing detailed solutions.

Handrails

We offer as an option these handrail types: channel, square and rectangular tubes. Handrails may be finished to match or contrast with the supports and panels. Wood and other handrail materials can also be specified and supplied by Metalco®.

Screen System

The Metalco® screen system can span between post supports or be mounted onto structurally suitable elements. Please contact Metalco® for engineering and design assistance when preparing detail solutions.

Grigliato Panel Types

The Metalco® panel styles listed below are available.

Grigliato "A"

Characteristics: Widely used for fence and railing designs. Hard to climb rectangular mesh.

Applications: Suitable for a vast range of applications. It can be used for prestigious projects as well as for high security needs. Applications include sports, schools, institutional, military, urban and more.

Specify: Electro-forged welded steel panel. Type Metalco® Grigliato "A" by Atlantis Products, Inc, Tel. 800-708-2526. 2 7/16 x 5 3/16 (62x130) mesh, 31/32"x 1/8" (25x3) main bar, 3/16" (5) cross rod. Galvanized to ASTM 123 and/or polyester powder coated.

Grigliato "B"

Characteristics: Square mesh style. Very sturdy and hard to climb. Clean lines.

Applications: Fencing and railing. Very versatile for commercial and residential use. Suitable for decorative applications (screens, dropped ceilings) as well as for railing applications.

Specify: Electro-forged welded steel panel. Type Metalco® Grigliato "B" by Atlantis Products, Inc, Tel. 800-708-2526. 2 7/16 x 2 19/32 (62x65) mesh, 31/32"x 1/8" (25x3) main bar, 3/16" (5) cross rod. Galvanized to ASTM 123 and/or polyester powder coated.

Grigliato "C"

Characteristics: Square mesh style. Light in appearance with good "see through" capability.

Applications: Fencing and railing. This model is well suited for applications which require a light and inconspicuous design with good "see through" capability. Also suitable for interior decorating (ceiling, divider, etc.). Limitation: This model is easy to climb.

Specify: Electro-forged welded steel panel. Type Metalco® Grigliato "C" by Atlantis Products, Inc, Tel. 800-708-2526. 3 15/16 x 3 15/16 (62x65) mesh, 31/32"x 1/8" (25x3) main bar, 3/16" (5) cross rod. Galvanized to ASTM 123 and/or polyester powder coated.

Grigliato "D"

Characteristics: Rectangular mesh style. Very sturdy and hard to climb .

Applications: Fencing and railing. Similar mesh size as Grigliato "A", extremely sturdy design for wide spans or high security applications.

Specify: Electro-forged welded steel panel. Type Metalco® Grigliato "D" by Atlantis Products, Inc, Tel. 800-708-2526. 2 7/16 x 5 3/16 (62x130) mesh, 1 3/16"x 5/32" (30x5) main bar, 1/4" (6) cross rod. Galvanized to ASTM 123 and/or polyester powder coated.

Grigliato "E"

Characteristics: Very small mesh, widely used in applications where a screen effect is wanted.

Applications: Screen walls, railings, back drops.

Specify: Electro-forged welded steel panel. Type Metalco® Grigliato "E" by Atlantis Products, Inc, Tel. 800-708-2526. 1 x 5 3/16 (24x130) mesh, 31/32"x 1/8" (25x3) main bar, 3/16" (5) cross rod. Galvanized to ASTM 123 and/or polyester powder coated.

Grigliato "F"

Characteristics: Very small mesh, widely used in applications where a screen effect is wanted.

Applications: Extremely small mesh for special effects. High security fence and railings, does not allow the passing of objects (i.e. Weapons) through the mesh. Used at airports, correctional facilities and for window protection.

Specify: Electro-forged welded steel panel. Type Metalco® Grigliato "F" by Amesco, Inc., Tel. 800-708-2526. 1"x 1" (24x24) mesh, 31/32"x 1/8" (25x3) main bar, 3/16" (5) cross rod. Galvanized to ASTM 123 and/or polyester powder coated.

Grigliato "G"

Characteristics: Widely used for Fence and Railing Designs. Hard to climb rectangular mesh.

Applications: Fencing and railing. Suitable for a vast range of applications. It can be used for prestigious projects as well as for high security needs. Applications include sports, schools, institutional, military, urban and more.

Specify: Electro-forged welded steel panel. Type Metalco® Grigliato "G" by Atlantis Products, Inc, Tel. 800-708-2526. 2 3/8" x 4" (62x100) mesh, 31/32" x 1/8" (25x3) main bar, 3/16" (5) cross rod, 1" x 3/16" (25x4) frame bar. Galvanized to ASTM 123 and/or polyester powder coated.

Grigliato "H"

Characteristics: Square mesh style. Very sturdy and hard to climb. Clean lines.

Applications: Fencing and railing. Very versatile for commercial and residential use.

Suitable for decorative applications (screens, dropped ceilings) as well as for railing applications.

Specify: Electro-forged welded steel panel. Type Metalco® Grigliato "H" Atlantis Products, Inc, Tel. 800-708-2526. 2 3/8 x 2 (62x50) mesh, 1" x 1/8" (25x3) main bar, 3/16" (5) cross rod. Galvanized to ASTM 123 and/or polyester powder coated.

Grigliato "J"

Characteristics: Square mesh style. Light in appearance with good "see through" capability.

Applications: Fencing and railing. This model is well suited for applications which require a light and inconspicuous design with good "see through" capability. Also suitable for interior decorating (ceiling, divider, etc.) Limitation: This model is easy to climb.

Specify: Electro-forged welded steel panel. Type Metalco® Grigliato "J" by Atlantis Products, Inc, Tel. 800-708-2526. 4 7/8 x 5 3/16 (125x130) mesh, 31/32" x 1/8" (25x3) main bar, 3/16" (5) cross rod. Galvanized to ASTM 123 and/or polyester powder coated.

Grigliato "K"

Characteristics: Square mesh style. Very sturdy and hard to climb. Clean lines.

Applications: Fencing and railing. Very versatile for commercial and residential use.

Suitable for decorative applications (screens, dropped ceilings) as well as for railing applications.

Specify: Electro-forged welded steel panel. Type Metalco® Grigliato "K" by Atlantis Products, Inc., Tel. 800-708-2526. 1 21/32 x 5 3/16 (40X130) mesh, 31/32" x 1/8" (25x3) main bar, 3/16" (5) cross rod. Galvanized to ASTM 123 and/or polyester powder coated.

Grigliato "L"

Characteristics: Square mesh style. Very sturdy and hard to climb. Clean lines.

Applications: Fencing and railing. Very versatile for commercial and residential use.

Suitable for decorative applications (screens, dropped ceilings) as well as for railing applications.

Specify: Electro-forged welded steel panel. Type Metalco® Grigliato "L" by Atlantis Products, Inc, Tel. 800-708-2526. 1 21/32 x 1 3/4 (40x45) mesh, 31/32" x 1/8" (25x3) main bar, 3/16" (5) cross rod. Galvanized to ASTM 123 and/or polyester powder coated.

Grigliato "SC"

For specifications on our Grigliato "SC" screen systems, visit our web site or ask for our catalog.

Curved Railings

All Grigliato panels are available in a curved design. The minimum radius that can be rolled is 8'-0."

The radius would be perpendicular to the steel bar.

AI-ASSEMBLY, INSTALLATION

Posts can be attached to the structure below in several ways:

Using the recessed method, posts are set into cored holes or sleeves and anchored with non-shrink grout.

Using the surface mount method, mounting plates attached to each post are expansion bolted to the structure below.

In the face mount method, the railing posts are mounted to the face of the structure typically below the level of the walking surface.

MF-MATERIALS, FINISHES

Thermosetting Polyester Powder Finish

Metalco® Fence and railing panels are protected by what we believe is the best finish available today. The computer controlled hot-dip galvanizing and the thermosetting polyester powder finish give the Metalco® System the highest possible protection against rust and corrosion. The advanced polyester powder coating technology is environmentally friendly (no solvents, lead-free) and offers a large color selection.

Colors

Eight standard colors are available: white, black, blue, green, red, yellow, gray and brown. Additionally, we offer an almost unlimited selection of custom colors. The polyester powder coating is available for all our products including oversized parts, i.e. large gates.

10-Year Limited Warranty

We certify that our fencing systems are free from defects in material and workmanship. The hot-dip galvanized coating can leave minor impurities on the treated surface, i.e., flashing, drips, drops, etc. These do not impair the coating in terms of corrosion resistance. The polyester coated galvanized metal is guaranteed not to crack, peel or blister for a period of 10 years. Accidental damages, defects resulting from improper installation and damage from vandalism or abuse are not included. Warranty is limited to a prorated value of the coating, not to exceed the original value of the coating.

TS-TECHNICAL SUPPORT

Applicable Standards:

Material: Bar Stock: ASTM A 36, Tube: ASTM A 500-Grade B

Fabrication: ANSI/AWS D1.1

Hot-Dip Galvanized: ASTM A 123

Cadmium Plating: ANSI/ASTM A 165-71, Type NS with a clear chromate finish

Powder Coating: Hardness ASTM D 3363; Direct impact ASTM D 2793. Saltspray resistance test ASTM B 117, Weatherability ASTM D822.

CC-CODES, CERTIFICATIONS

The installed system can be designed to be capable of withstanding
 1) a concentrated load of 200 lbs. applied at any point in any direction
 2) a uniform load of 50 lbs. per linear ft. applied horizontally and concurrently with uniform load 100 lbs. per linear ft. applied vertically downward. The infill area of the guardrail system is capable of withstanding a horizontal concentrated load of 200 lbs. applied to 1 sq.ft. at any point in the system.

AC-AVAILABILITY, COST

Availability: Metalco® fencing is carried in stock in large mats or prefabricated panels. Jobs are fabricated and coated before being shipped throughout the United States.

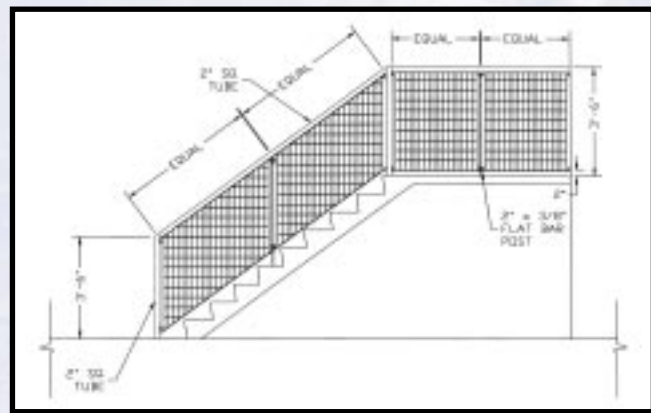
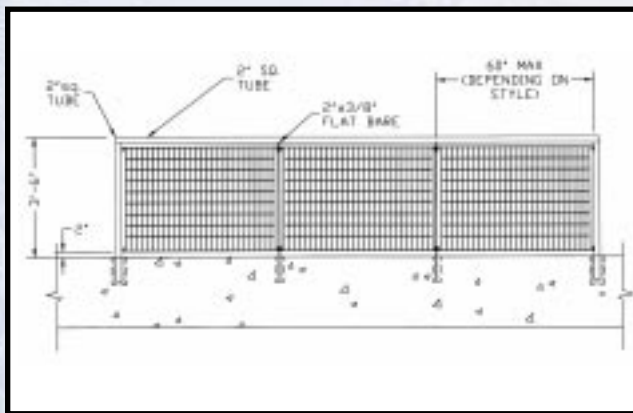
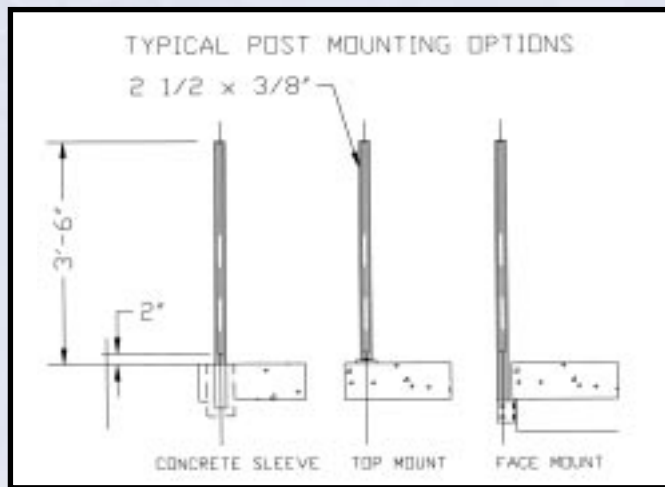
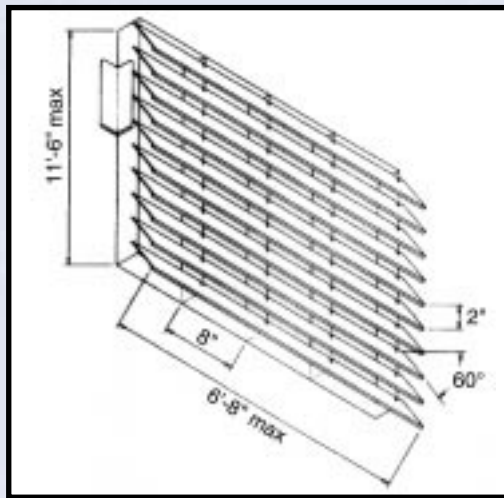
Cost: Costs are quoted on a per-job basis due to varying requirements of each project. However, a price list for standard products is available. Costs may be obtained by calling a Metalco® sales rep.

OM-OPERATION, MAINTENANCE

The advanced coating method supplied on the Metalco® fencing systems requires no maintenance.

Tel: 800-708-2526
 Fax: 630-971-9680

Web: www.metalcot.tv
 e-mail: info@metalco.tv



Grigliato "A"

Grigliato "C"

Grigliato "K"

