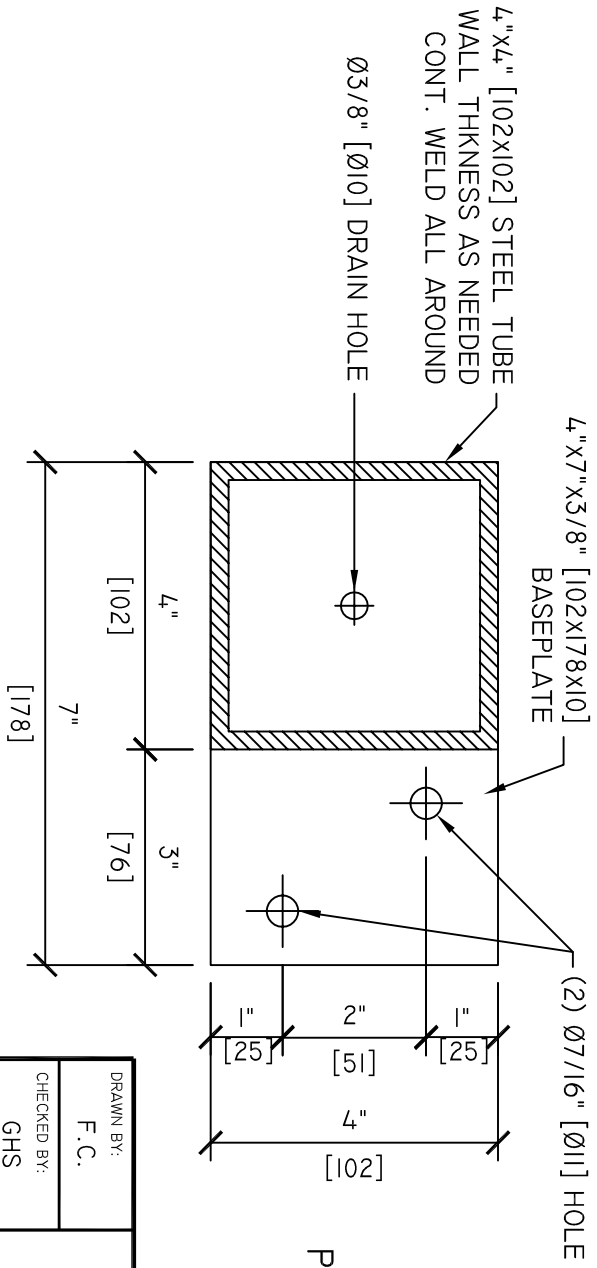


ELEV



PLAN

DRAWN BY: F.C.	wetalco [®]	TITLE: 4" SQ. STEEL TUBE POST W/ 4" X 7" OFFSET BASEPLATE	SHEET NO.: D-4POST-4
CHECKED BY: GHS		SCALE: NTS	
DATE: 03.06.02			