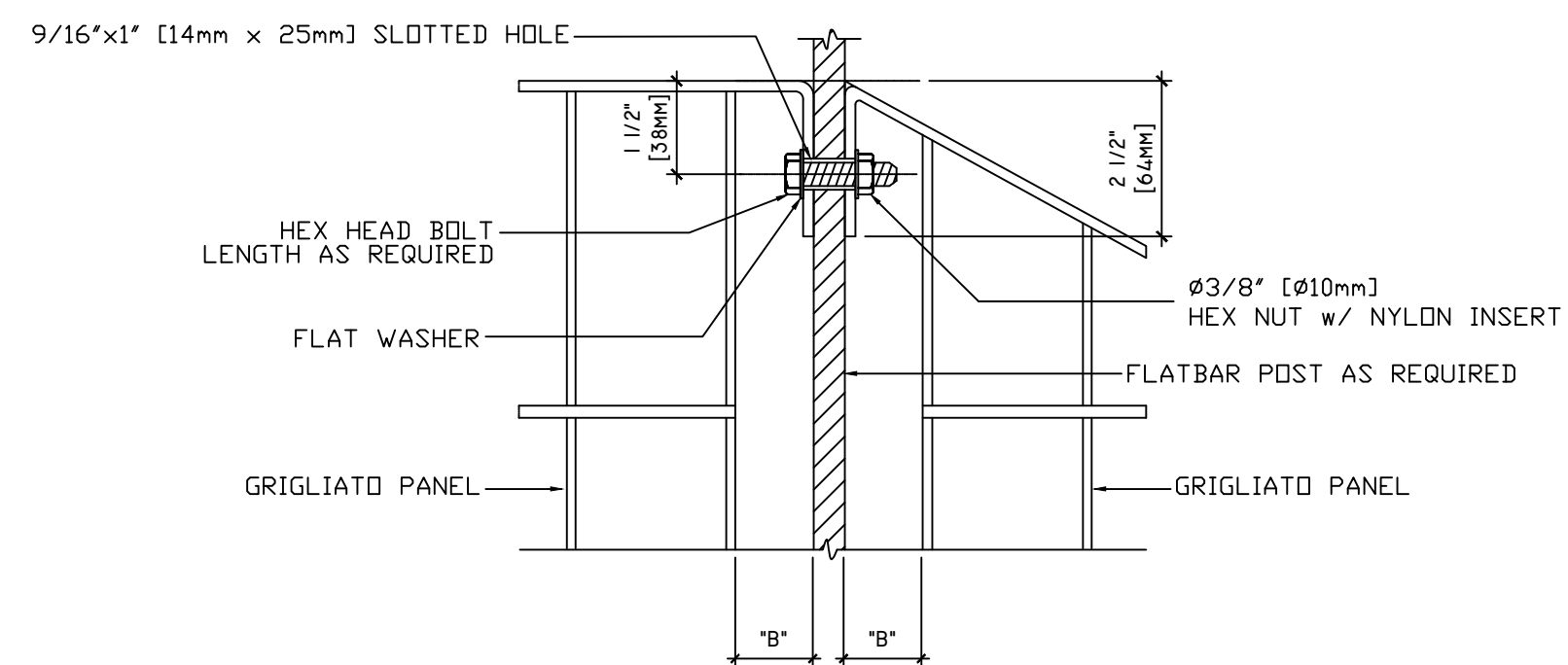
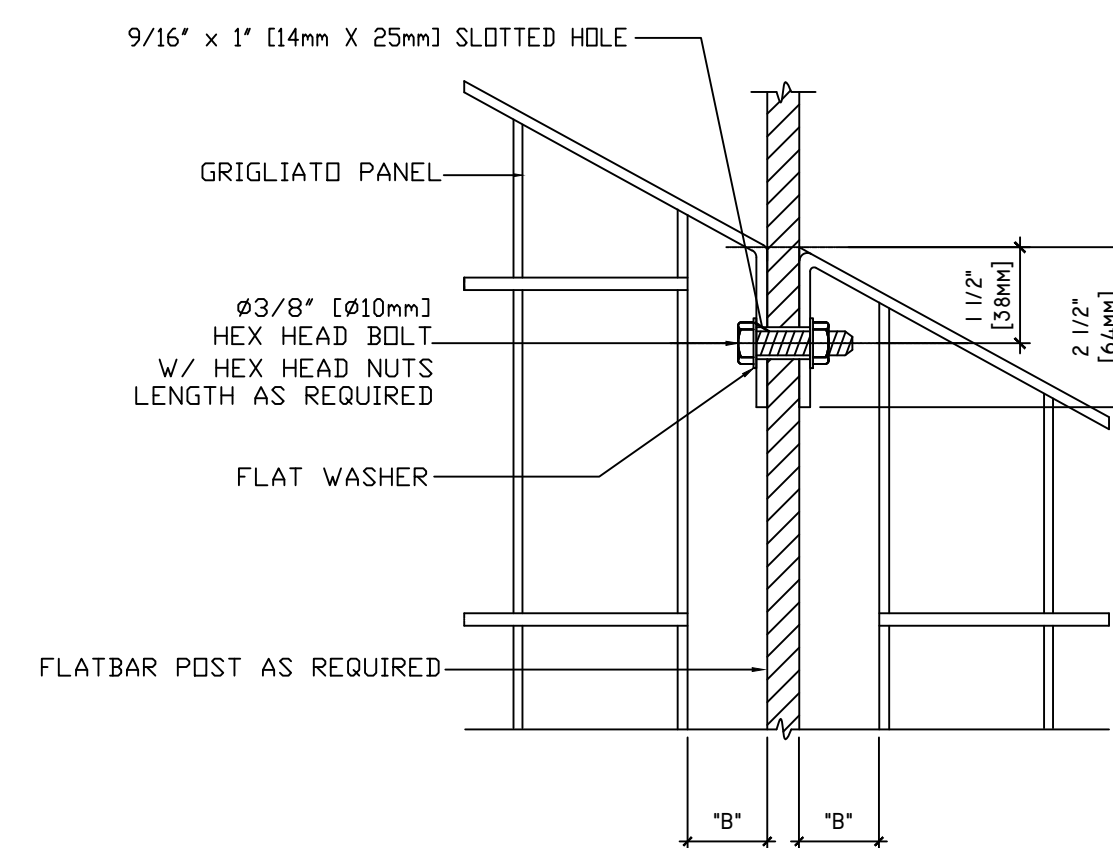


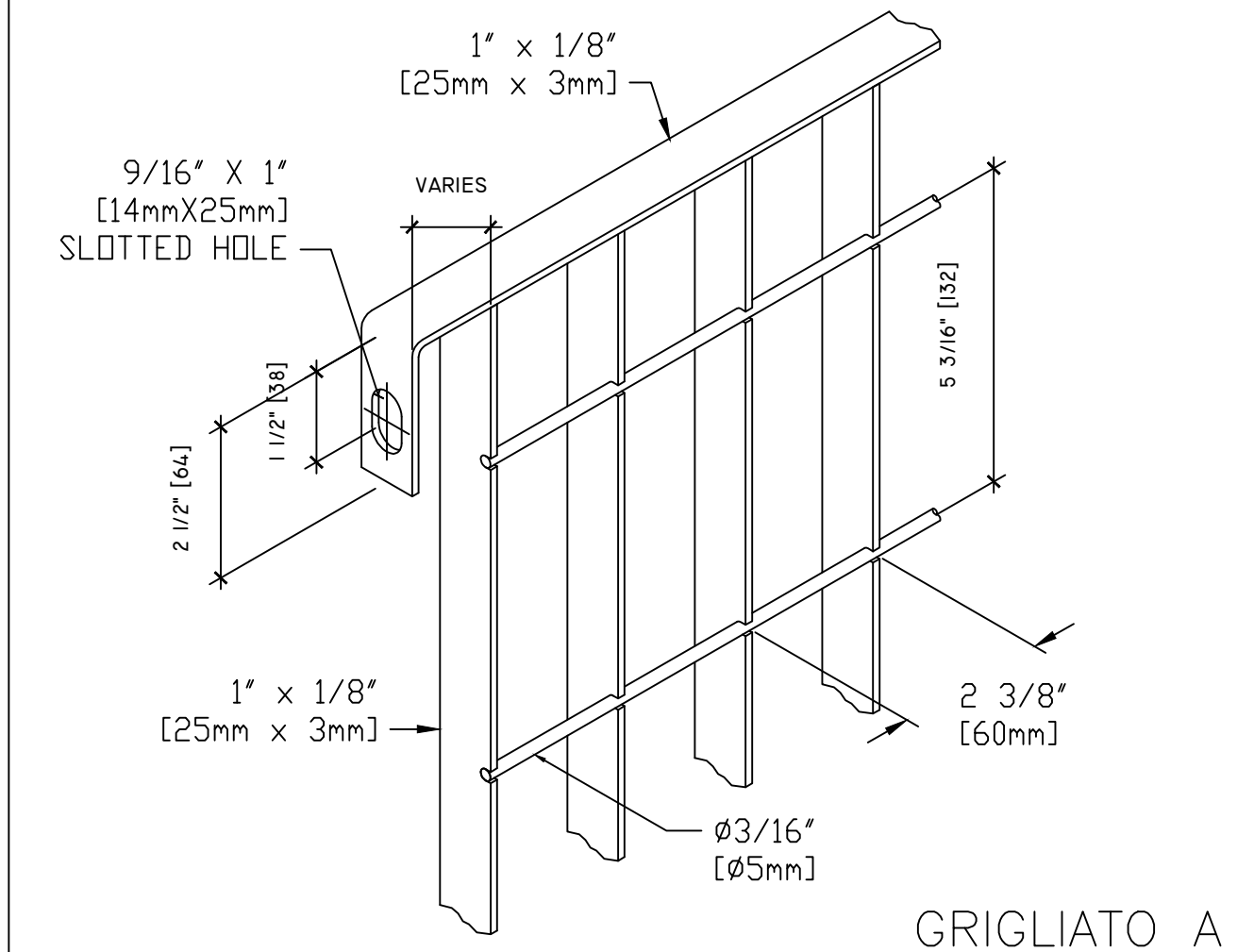
4 AI PANEL ATTACHMENT ON LEVEL AREAS



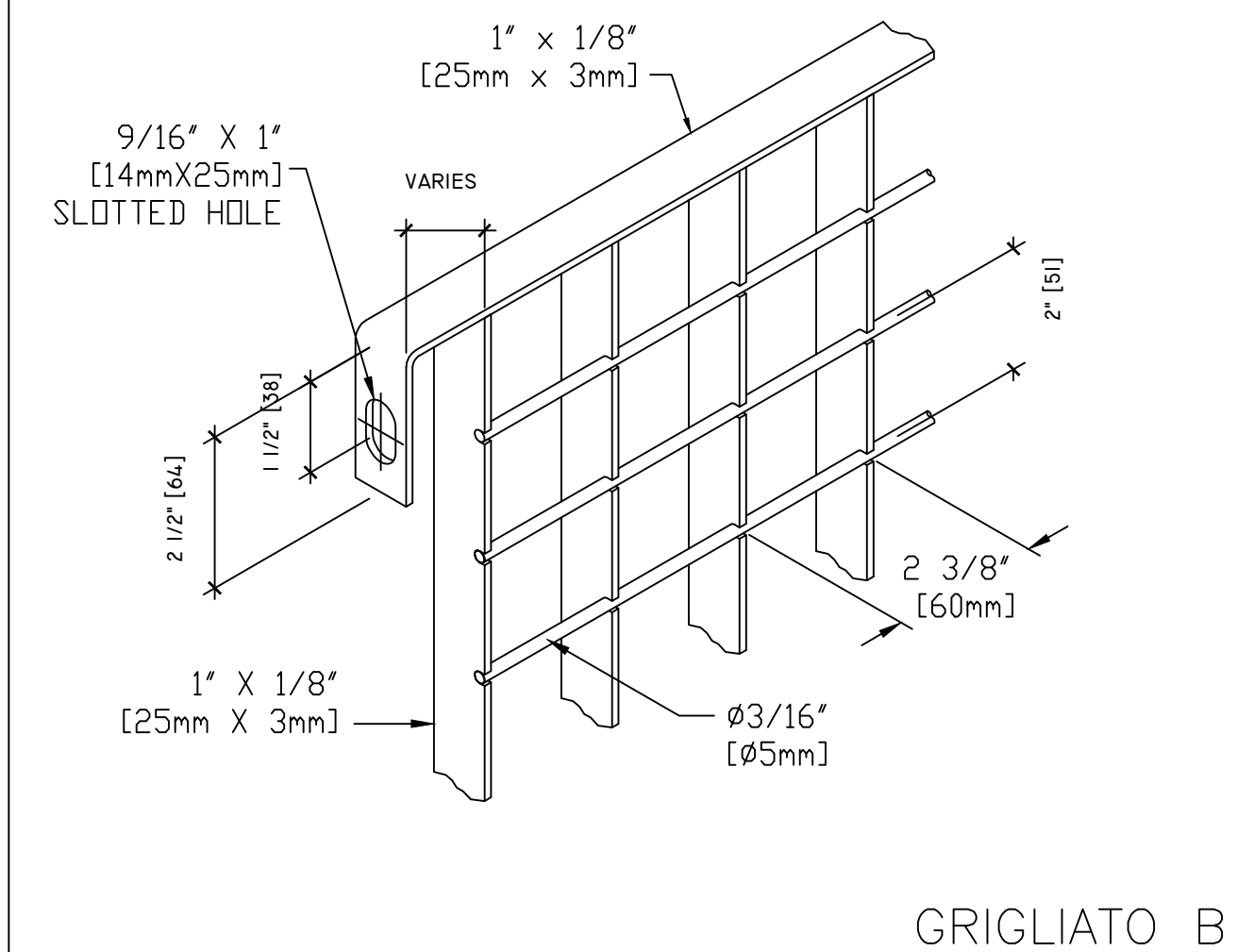
5 AI PANEL ATTACHMENT ON LEVEL & SLOPE AREAS



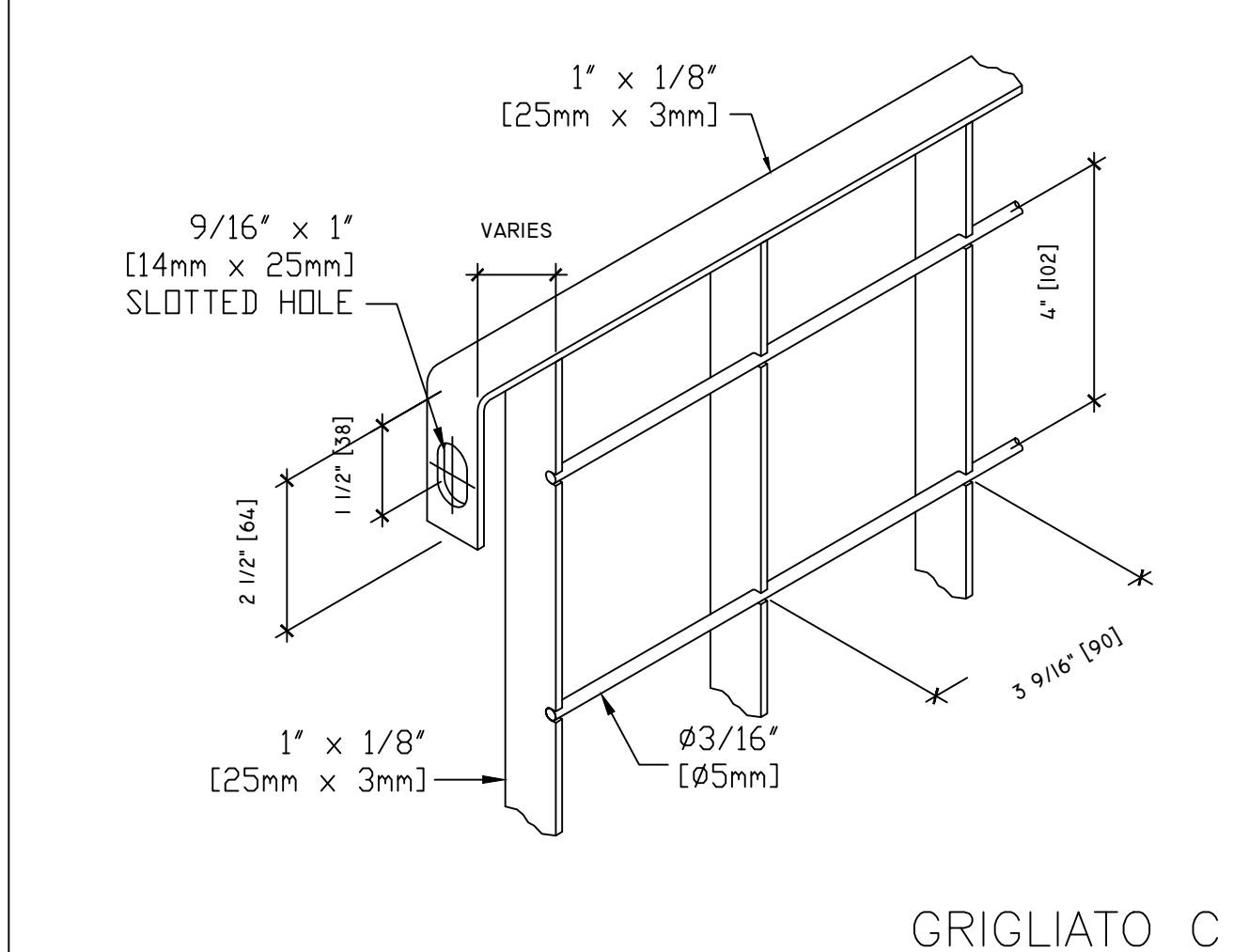
6 AI PANEL ATTACHMENT ON SLOPE AREAS



GRIGLIATO A



GRIGLIATO B



GRIGLIATO C

REV. NO.	REV. BY	REV. DATE

CONTENTS:
TYPICAL GRIGLIATO RAILING SYSTEM

metabco
8185 SOUTH CASS AVENUE
DARIEN, IL 60561
TEL. (630) 971-9680 FAX. (630) 971-9860

PROJECT:
TYPICAL GRIGLIATO RAILING SYSTEM
ADDRESS:

DRAWN BY: F.C. CHECKED BY:

SCALE: 1/2" = 1'-0" DATE: 02.05.09

JOB NO. XXXX

SHEET NO. AI

DATE SENT _____ INITIALS _____