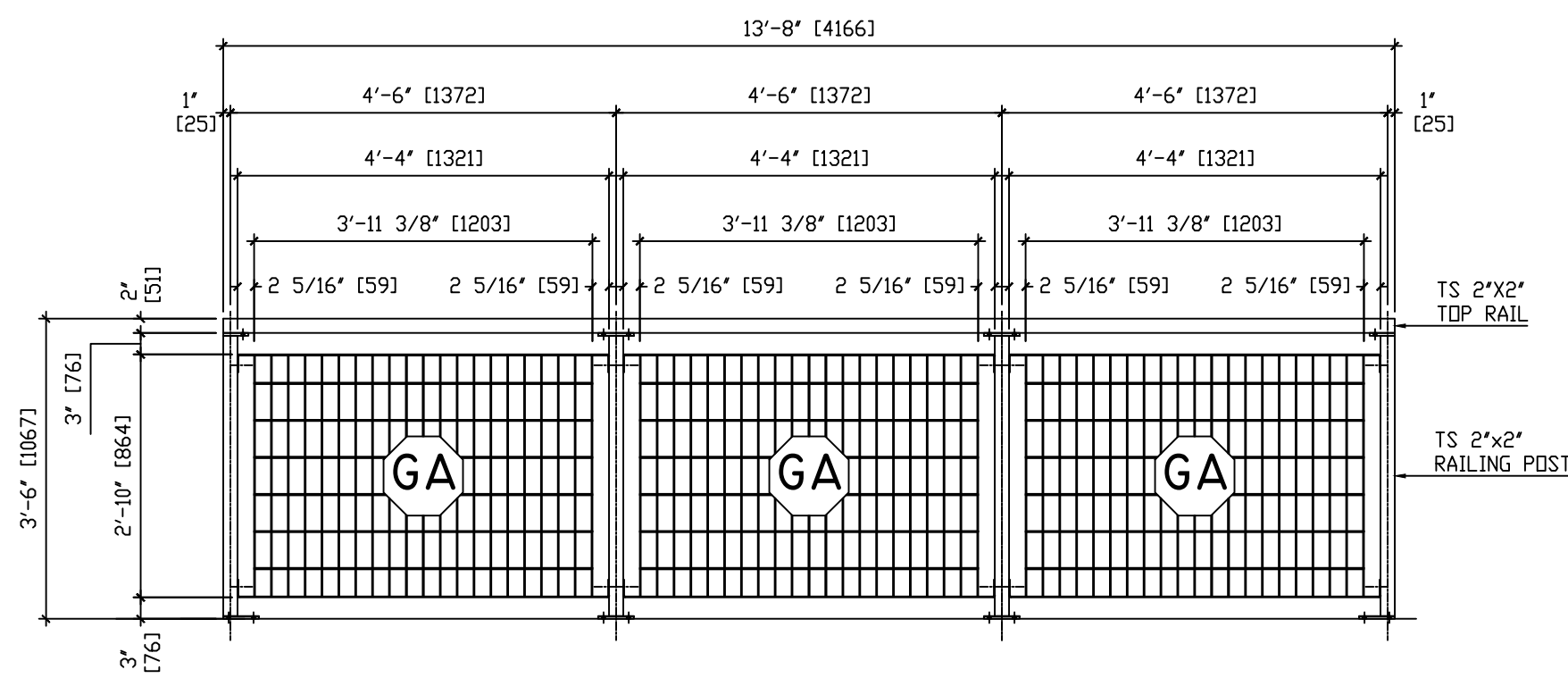
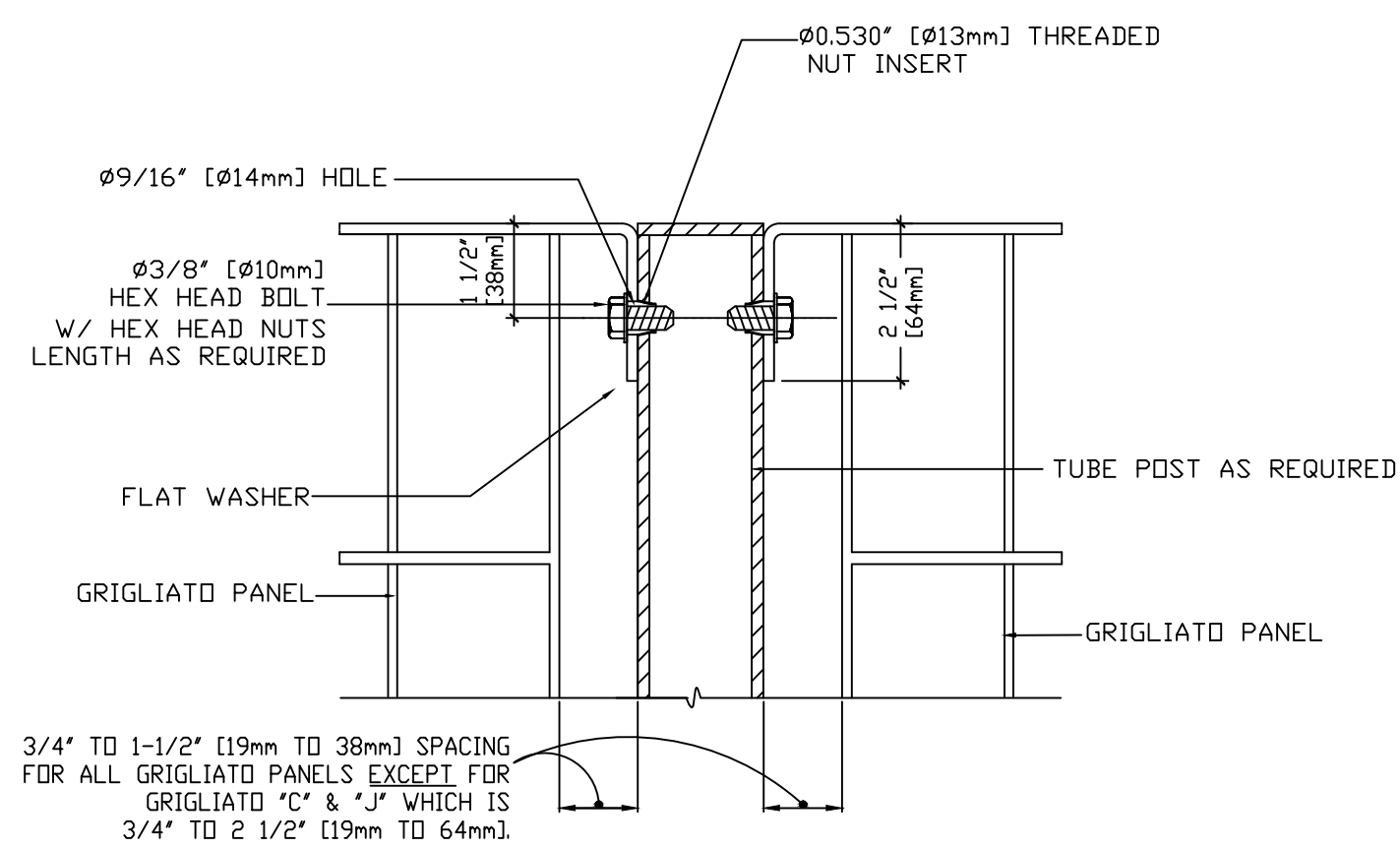


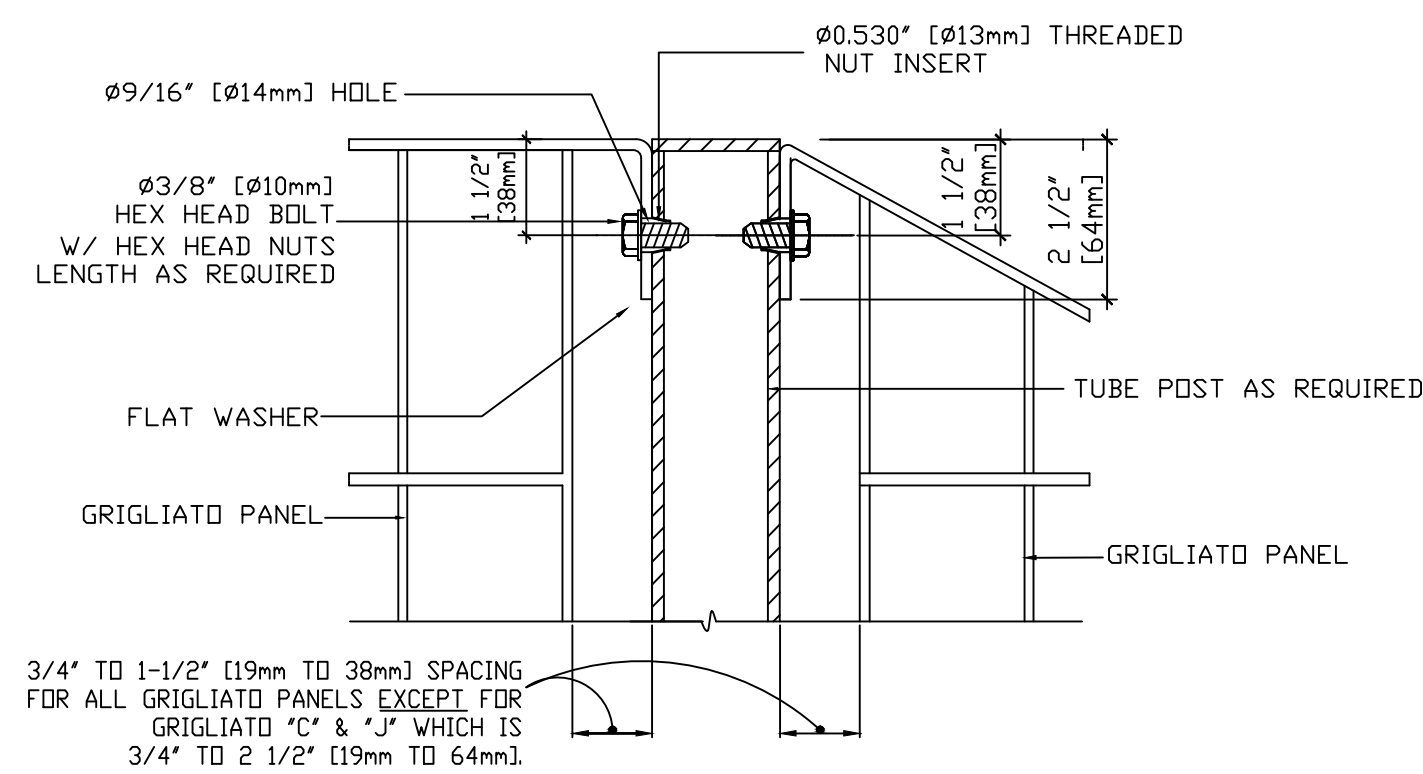
GRIGLIATO RAILING SYSTEM W/D TOP RAIL



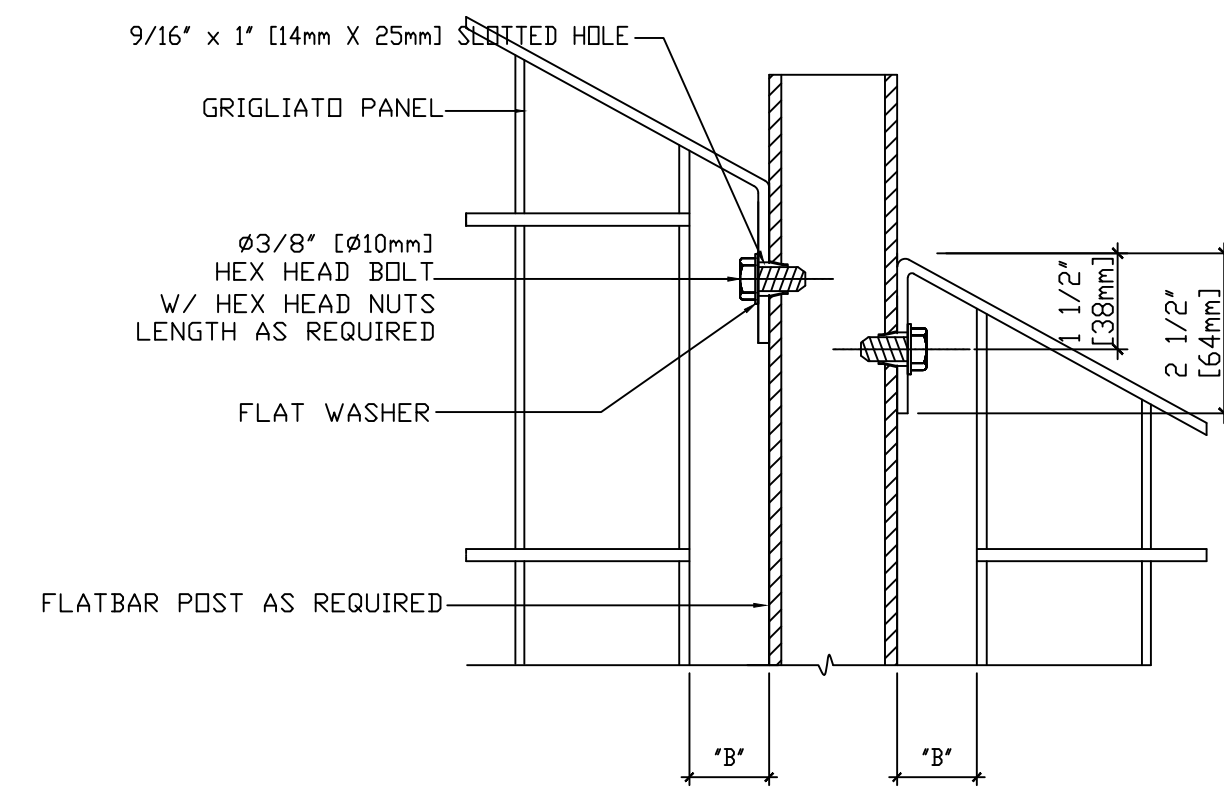
GRIGLIATO RAILING SYSTEM W/ TOP RAIL



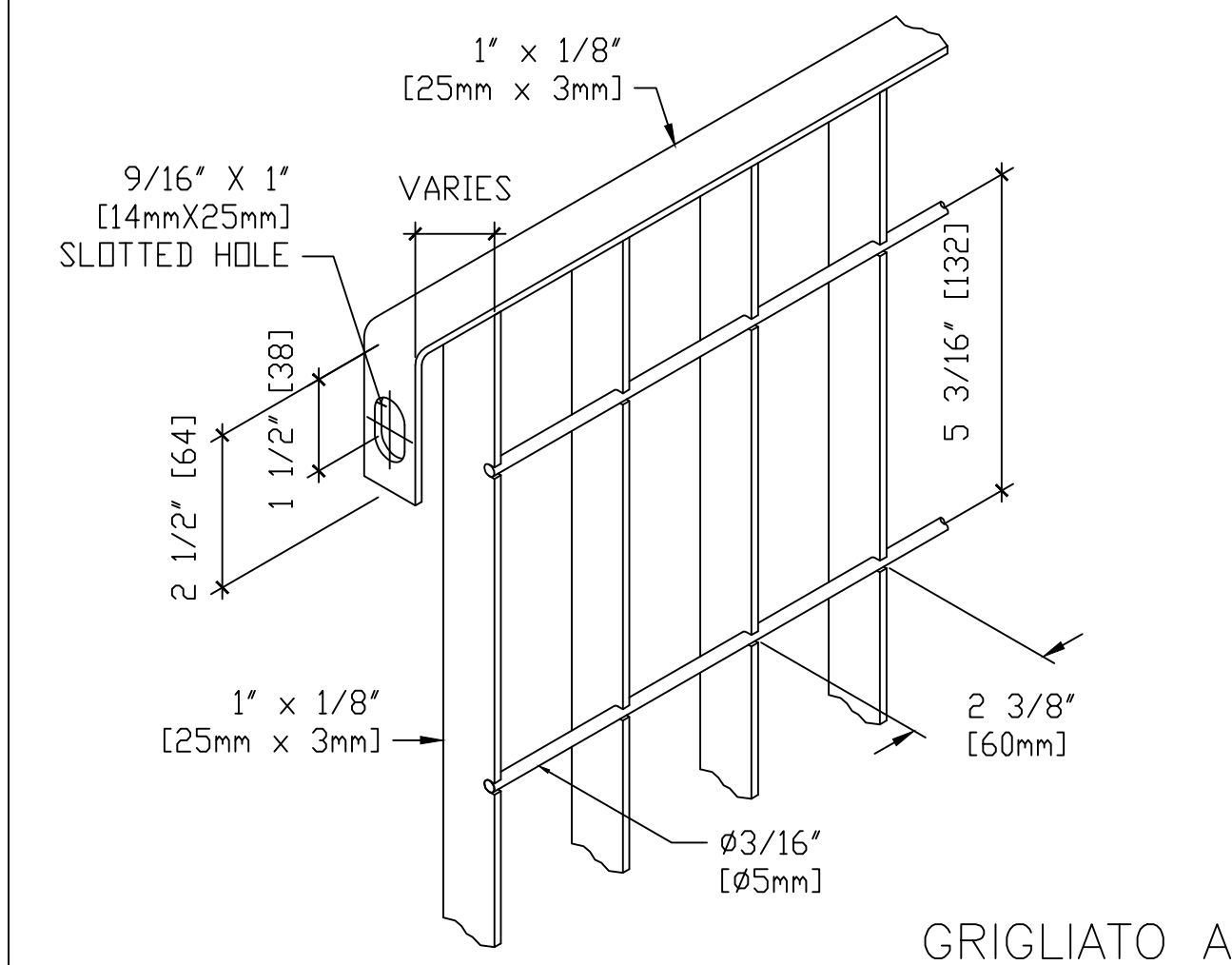
4 PANEL BRACKET ATTACHMENT ON LEVEL AREAS



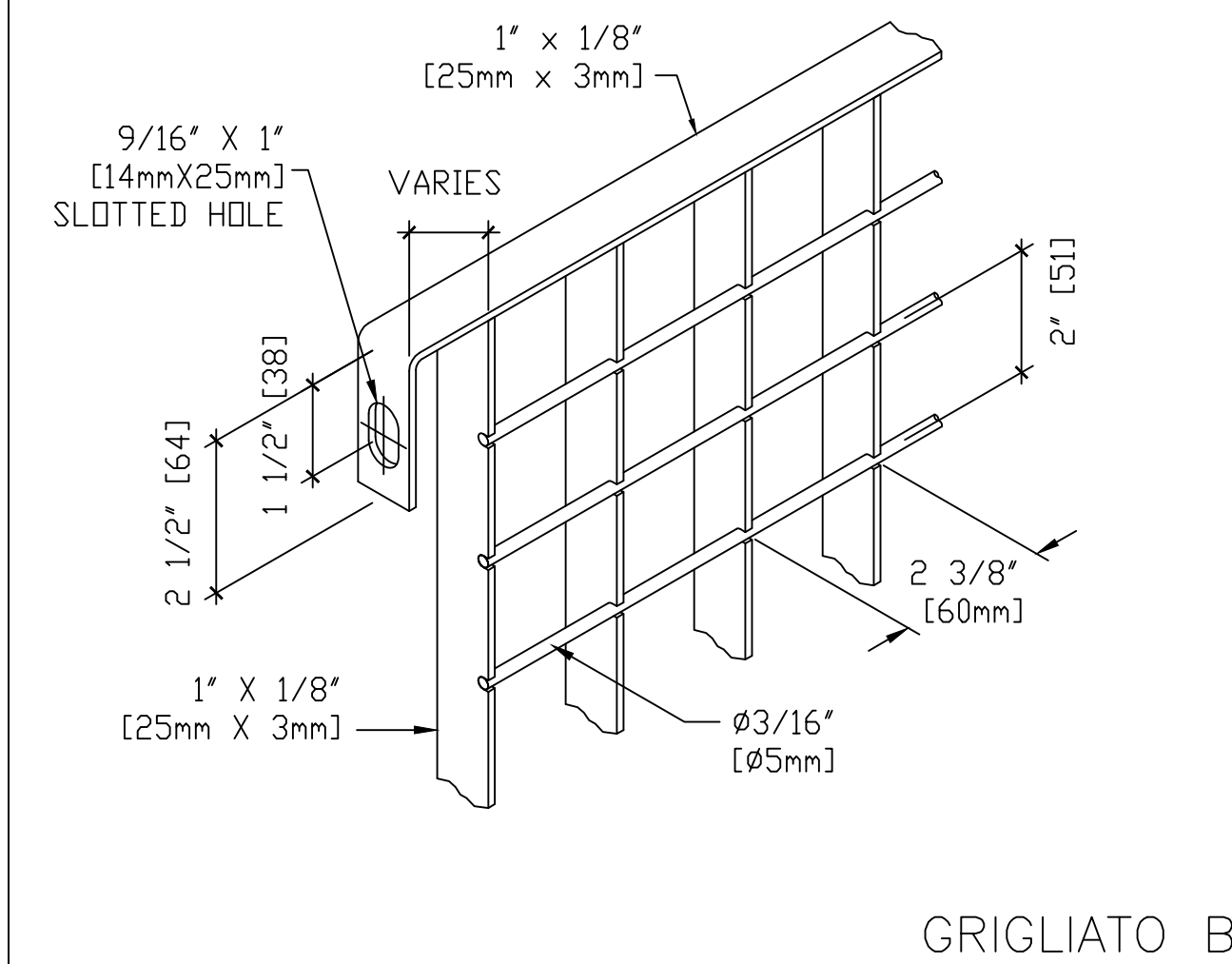
5 PANEL BRACKET ATTACHMENT ON LEVEL & SLOPE AREAS



6 PANEL BRACKET ATTACHMENT ON SLOPE AREAS



GRIGLIATO A



GRIGLIATO B



GRIGLIATO C

REV. NO.	REV. DATE	REV. BY	REVISED ITEMS
1			
2			
3			
4			

CONTENTS:
TYPICAL GRIGLIATO RAILING SYSTEM

metalco
8185 SOUTH CASS AVENUE
DARIEN, IL 60561
TEL. (630) 971-9680 FAX. (630) 971-9860

PROJECT:
TYPICAL GRIGLIATO RAILING SYSTEM
ADDRESS:

DRAWN BY: F.C. CHECKED BY:

SCALE: 1/2" = 1'-0" DATE: 02.05.09

JOB NO. XXXX

SHEET NO. AI
1 OF 1

DATE SENT _____ INITIALS _____