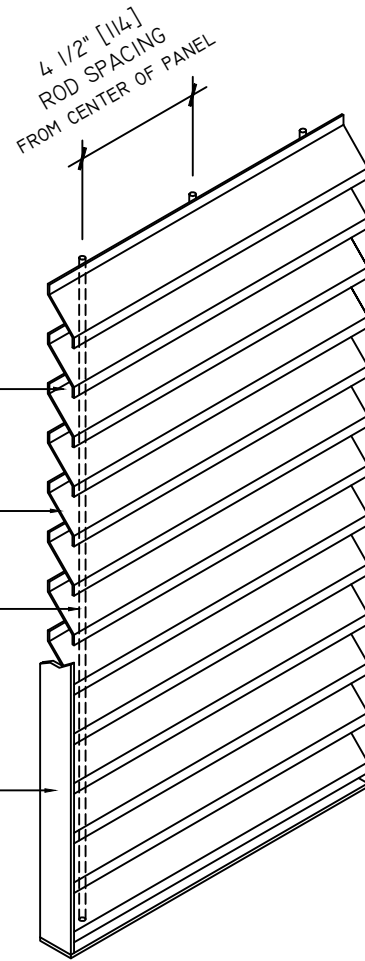


SECTIONAL VIEW

- ZERO HORIZONTAL VIEWING GAP
- 16 GA. STEEL SHEET METAL
- Ø3/16" [Ø5MM] STEEL CROSSROD
- 1-1/4" x 3/16" [30 x 5] STEEL FLATBAR



ISOMETRIC DRAWING

DRAWN BY: F.C.	<b>wetalco</b> <sup>®</sup>	SHEET No.  1 OF 1
CHECKED BY: GHS		
SCALE: N.T.S.	TITLE: METALCO LOUVER PANEL GRIGLIATO "SC-100" SUN & VIEW BLOCKED	
DATE: 02/21/02		