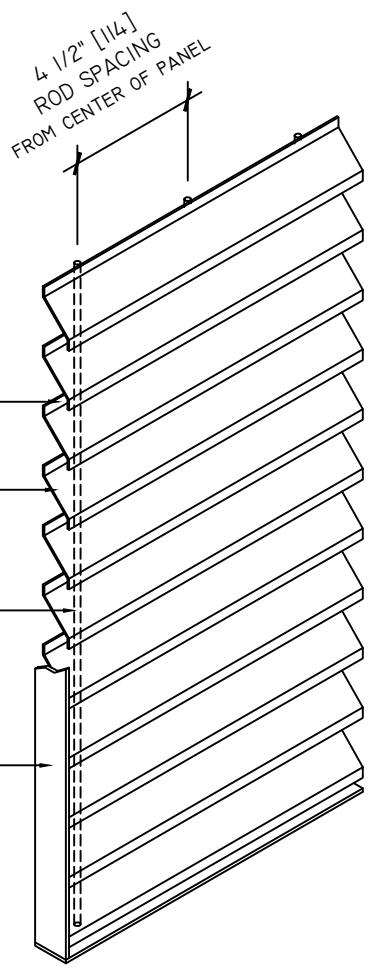


SECTIONAL VIEW



ISOMETRIC DRAWING

- 80% HORIZONTAL VIEWING GAP
- 16 GA. STEEL SHEET METAL
- Ø3/16" [Ø5MM] STEEL CROSSROD
- 1-1/4" x 1/8" [30 x 3] STEEL FLATBAR

THIS DRAWING IN DESIGN AND DETAIL ARE SOLE PROPERTY OF METALCO (ATLANTIS PRODUCTS, INC.) AND MAY NOT BE USED FOR ANY PURPOSE WHATSOEVER OTHER THAN FOR OUR MANUFACTURING FACILITY AND INSTALLATION OF OUR PRODUCTS. THIS DOCUMENT NOR ANY PART THEREOF MAY NOT BE REPRODUCED IN ANY MANNER WHATSOEVER AND SHALL BE RETURNED TO US UPON REQUEST. ALL RIGHTS RESERVED.

DRAWN BY: F.C.
CHECKED BY: GHS
SCALE: N.T.S.
DATE: 02/21/02

wetalco[®]

TITLE: METALCO LOUVER PANEL
GRIGLIATO "SC-80"
SUN & VIEW BLOCKED

SHEET No. 1 OF 1
