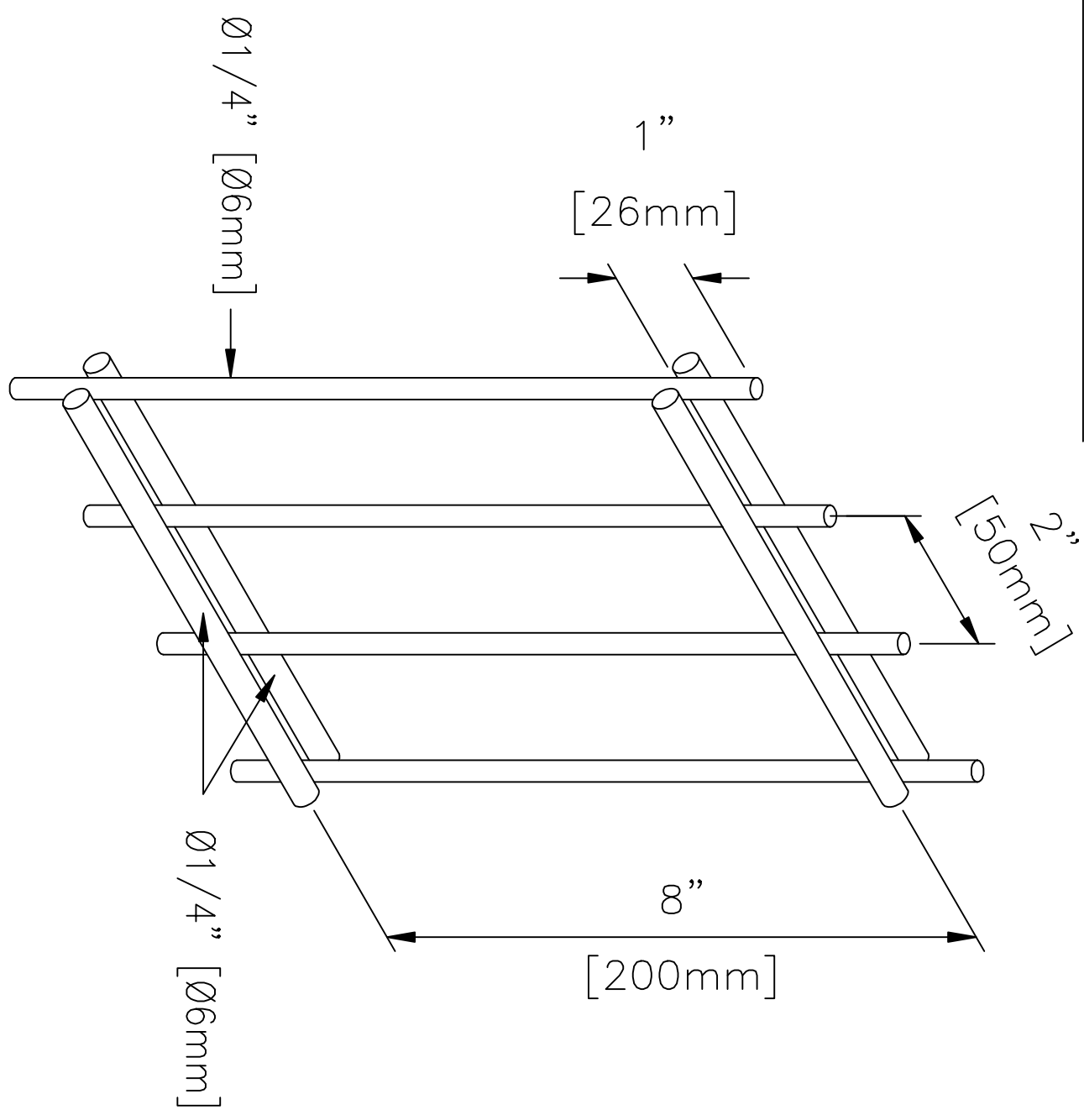


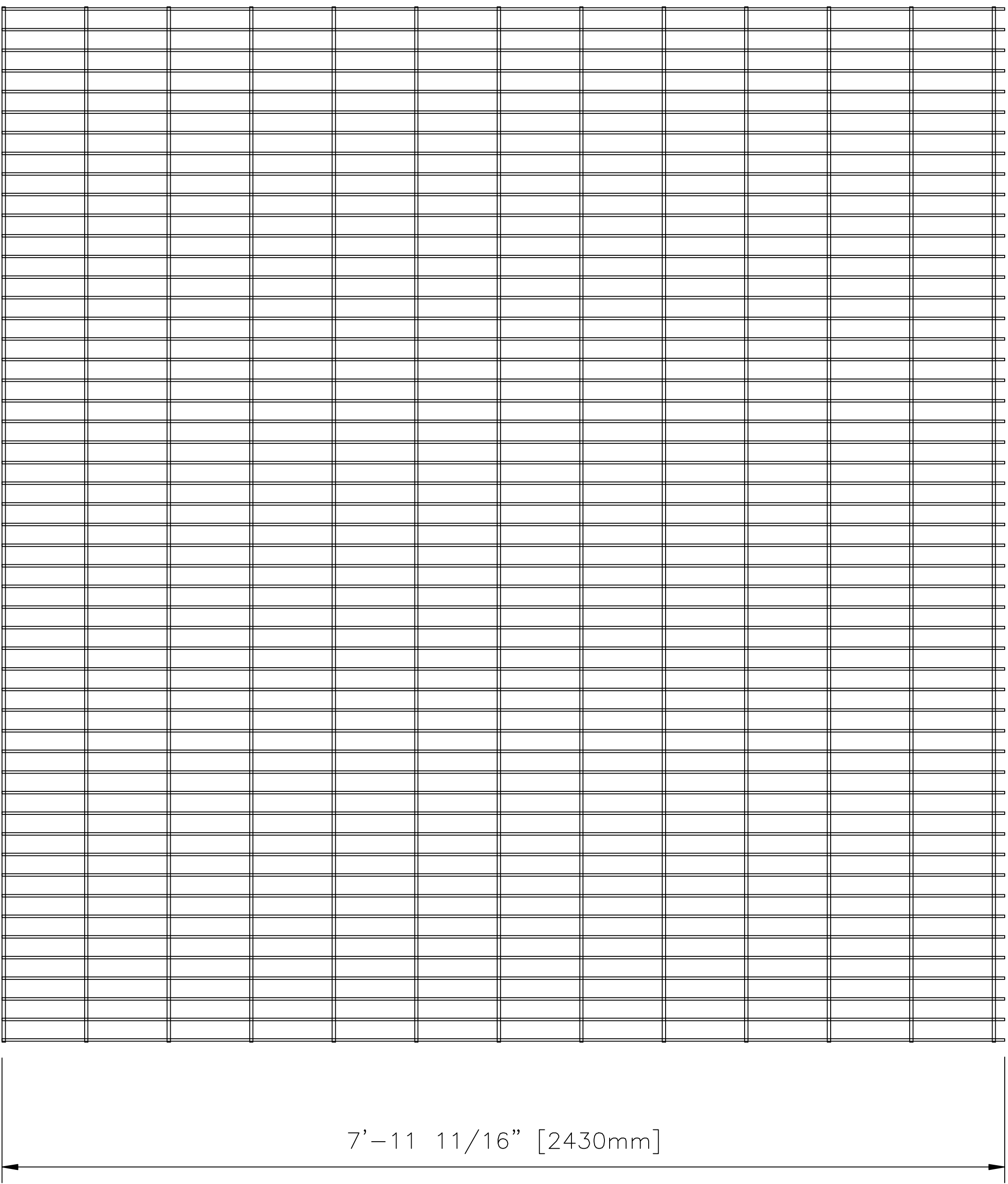
TWINBAR FORTRESS PANELS

NOTE: ALL WIRE ELECTRO-FORGED AT ALL INTERSECTIONS
FINISH: GALVANIZED AND POLYESTER POWDER COATED.

ADDITIONAL HEIGHT SIZES ARE AVAILABLE UPON REQUEST.
PANEL HEIGHT ARE MEASURED AT EVERY 8" INCREMENTS

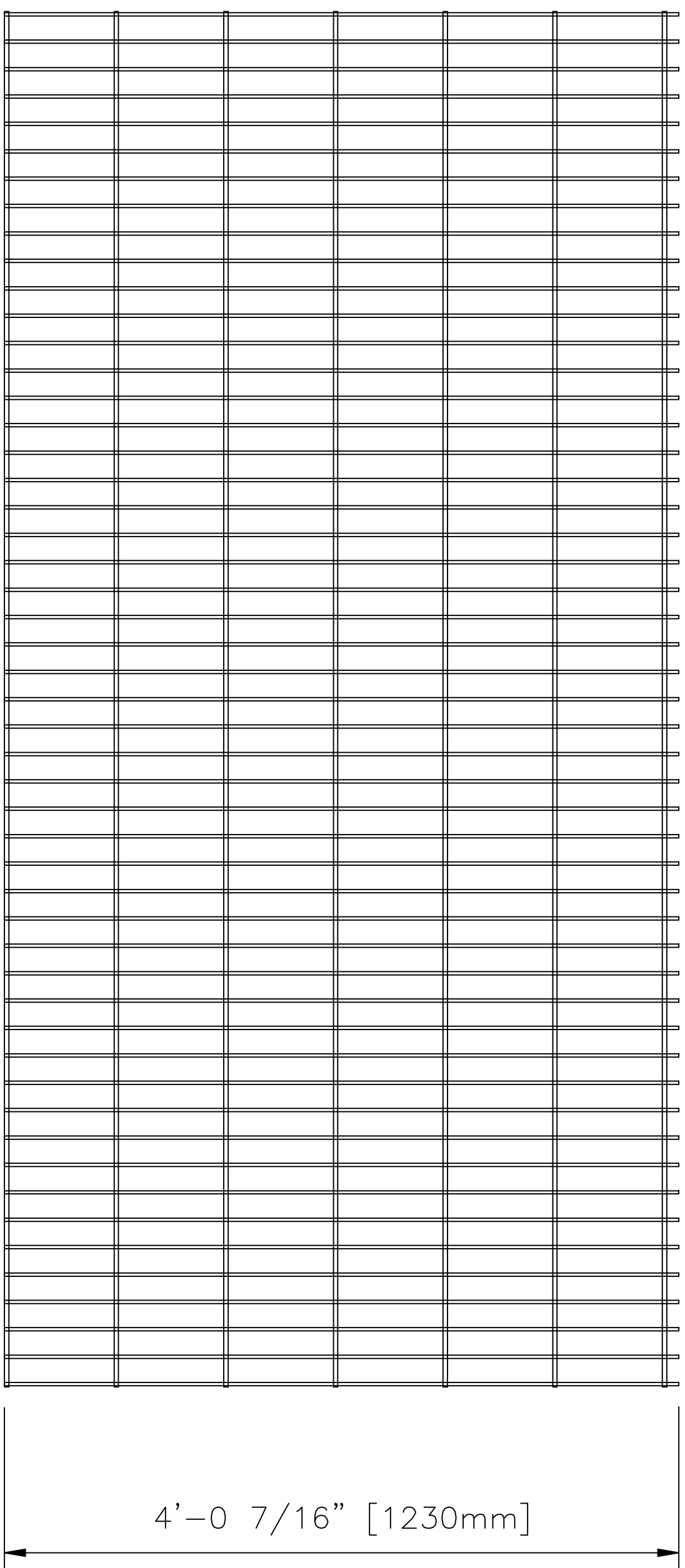


8'-2 11/16" [2506mm]



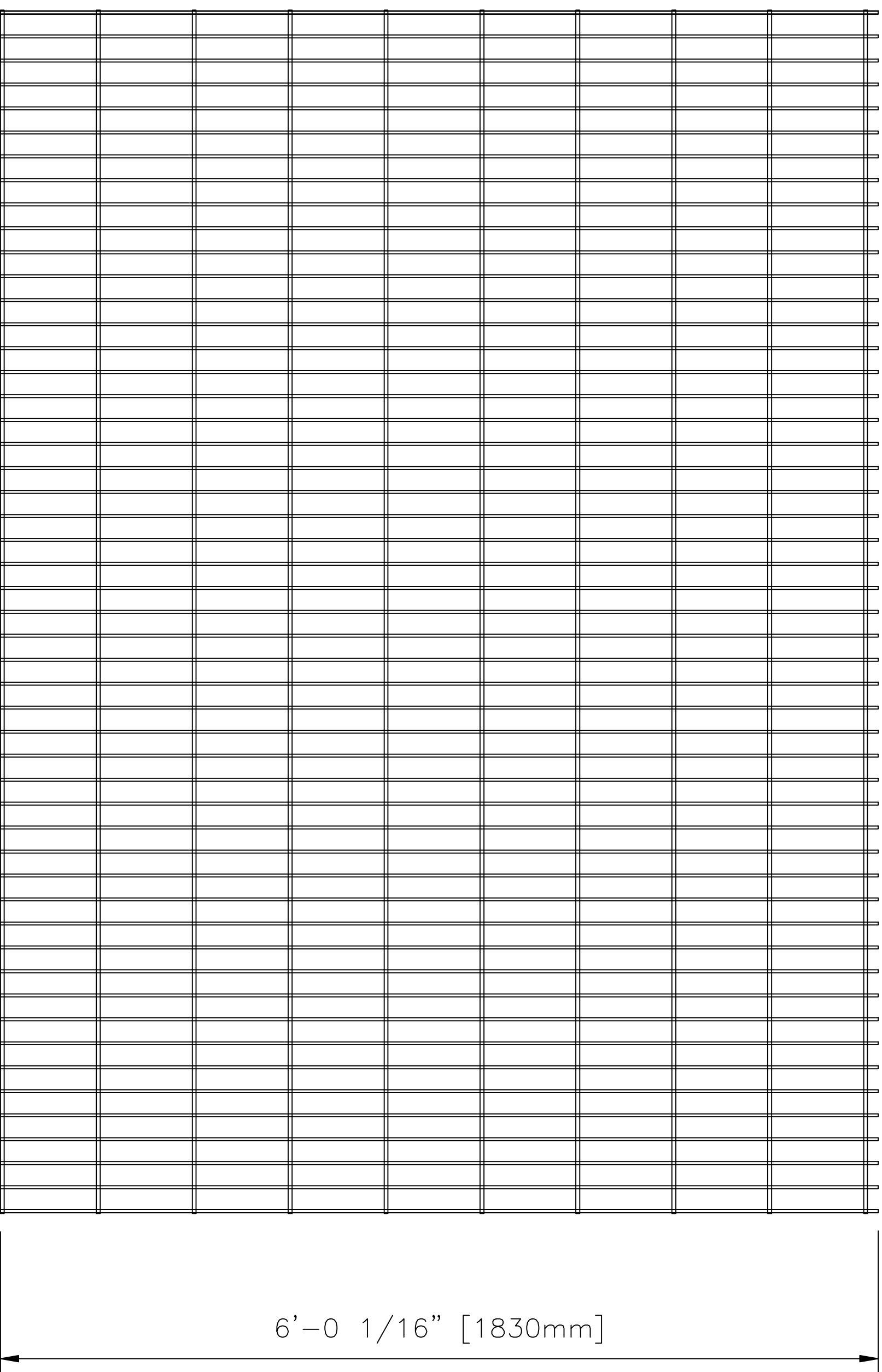
8'-0" TALL TWINBAR FENCE PANEL

8'-2 11/16" [2506mm]



4'-0" TALL TWINBAR FENCE PANEL

8'-2 11/16" [2506mm]



6'-0" TALL TWINBAR FENCE PANEL

THIS DRAWING IN DESIGN AND DETAIL ARE SOLE PROPERTY OF METALCO (ATLANTIS PRODUCTS, INC.) AND MAY NOT BE USED FOR ANY PURPOSE WHATSOEVER OTHER THAN FOR OUR MANUFACTURING FACILITY AND INSTALLATION OF OUR PRODUCTS. THIS DOCUMENT NOR ANY PART THEREOF MAY NOT BE REPRODUCED IN ANY MANNER WHATSOEVER AND SHALL BE RETURNED TO US UPON REQUEST.
ALL RIGHTS RESERVED.

DATE SENT: _____ INITIALS: _____

SHEET NO. AI	JOB NO. TW-FORT	SCALE: N/A	DATE: 11.12.07	DRAWN BY: F.C.	CHECKED BY:	PROJECT: TWINBAR FORTRESS PANEL DESIGN	ADDRESS: -	<p>8185 SOUTH CASS AVENUE DARIEN, IL 60561 TEL.(630) 971-9680 FAX.(630) 971-9860</p>	CONTENTS: TWINBAR FORTRESS PANEL DESIGN	REV NO. △ △ △ △	REVISED ITEMS	REV BY	REV DATE
		DATE SENT: _____	INITIALS: _____										