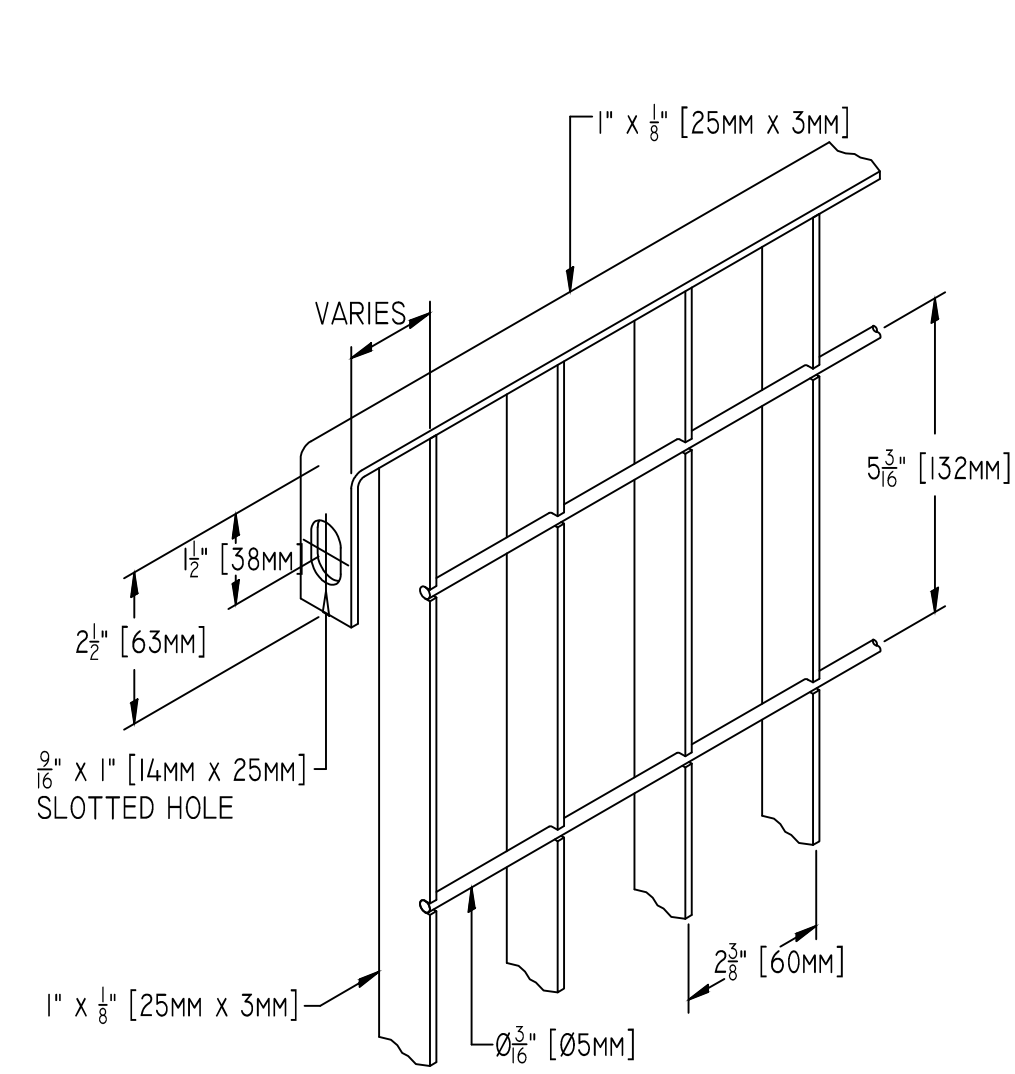
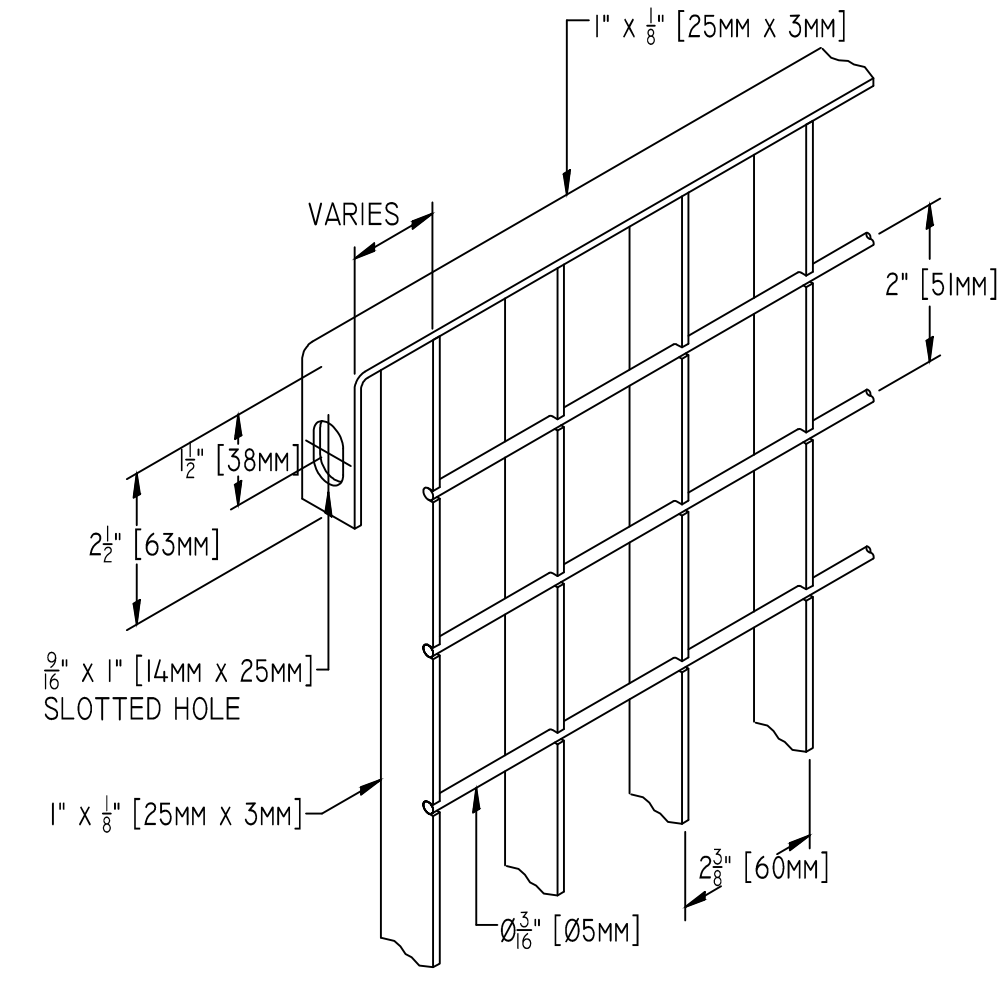


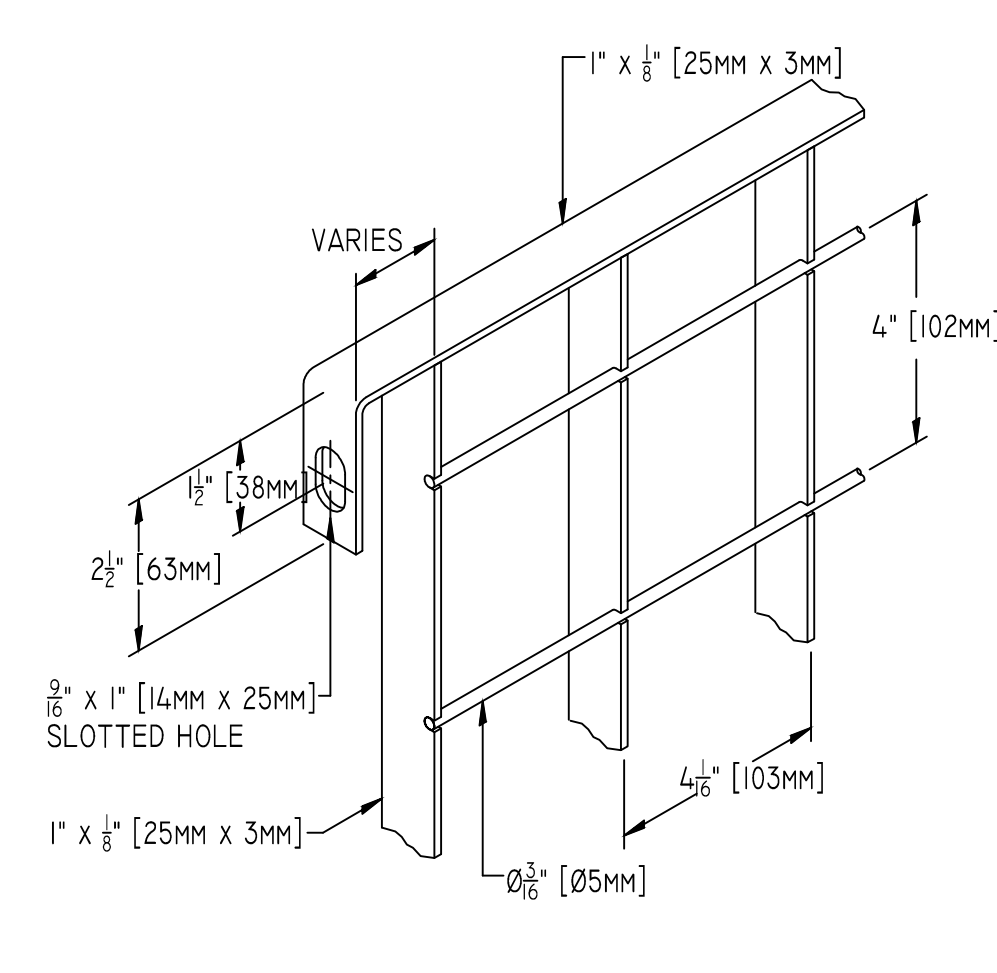
# metalco®



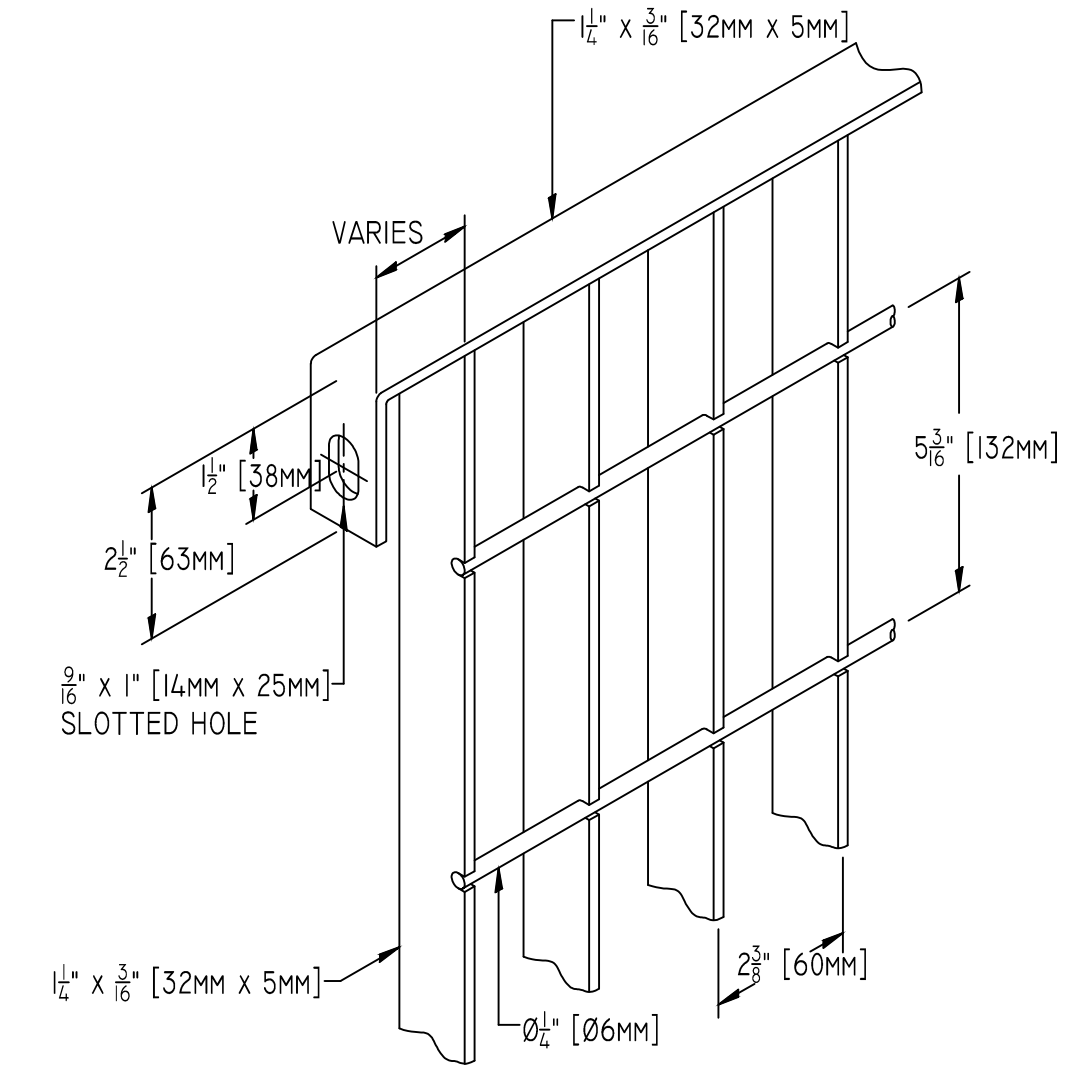
**1**  
AI SCALE: N.T.S.  
PANEL DETAIL GRIGLIATO "A"  
FOR ATTACHMENT BRACKETS



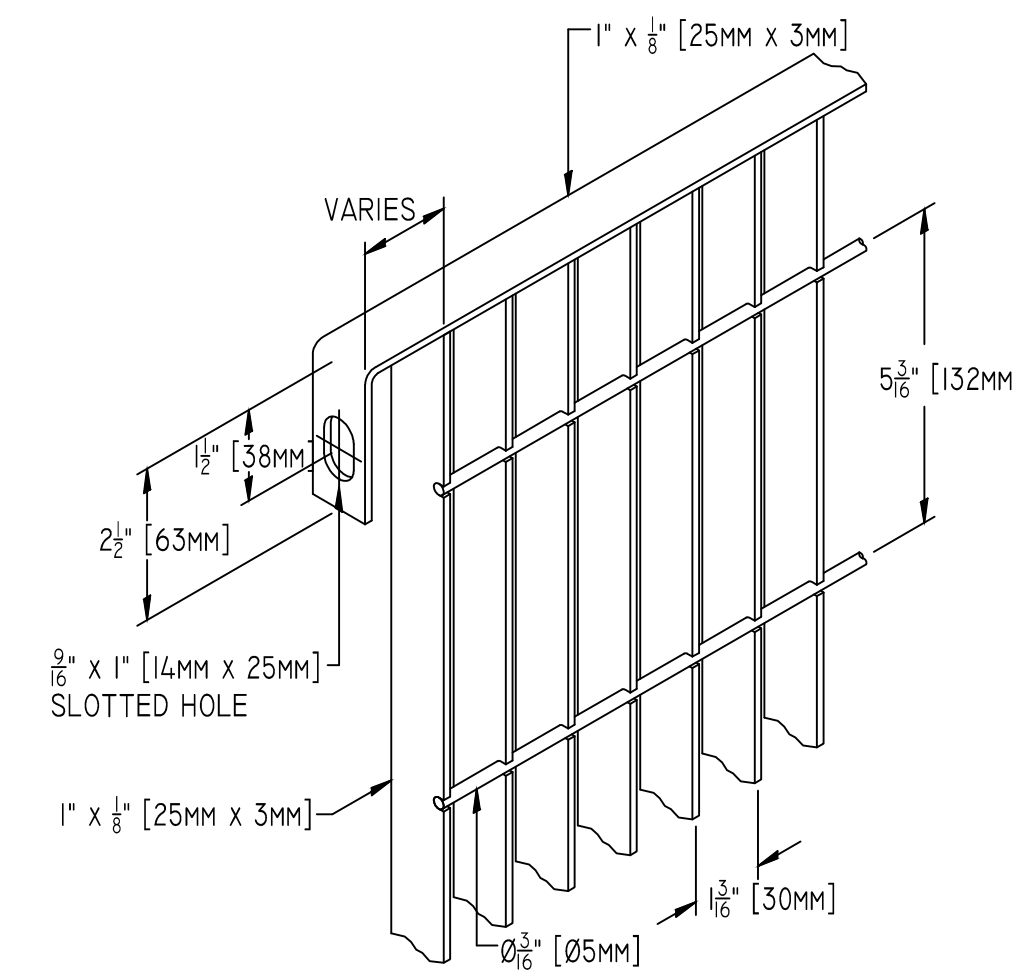
**2**  
AI SCALE: N.T.S.  
PANEL DETAIL GRIGLIATO "B"  
FOR ATTACHMENT BRACKETS



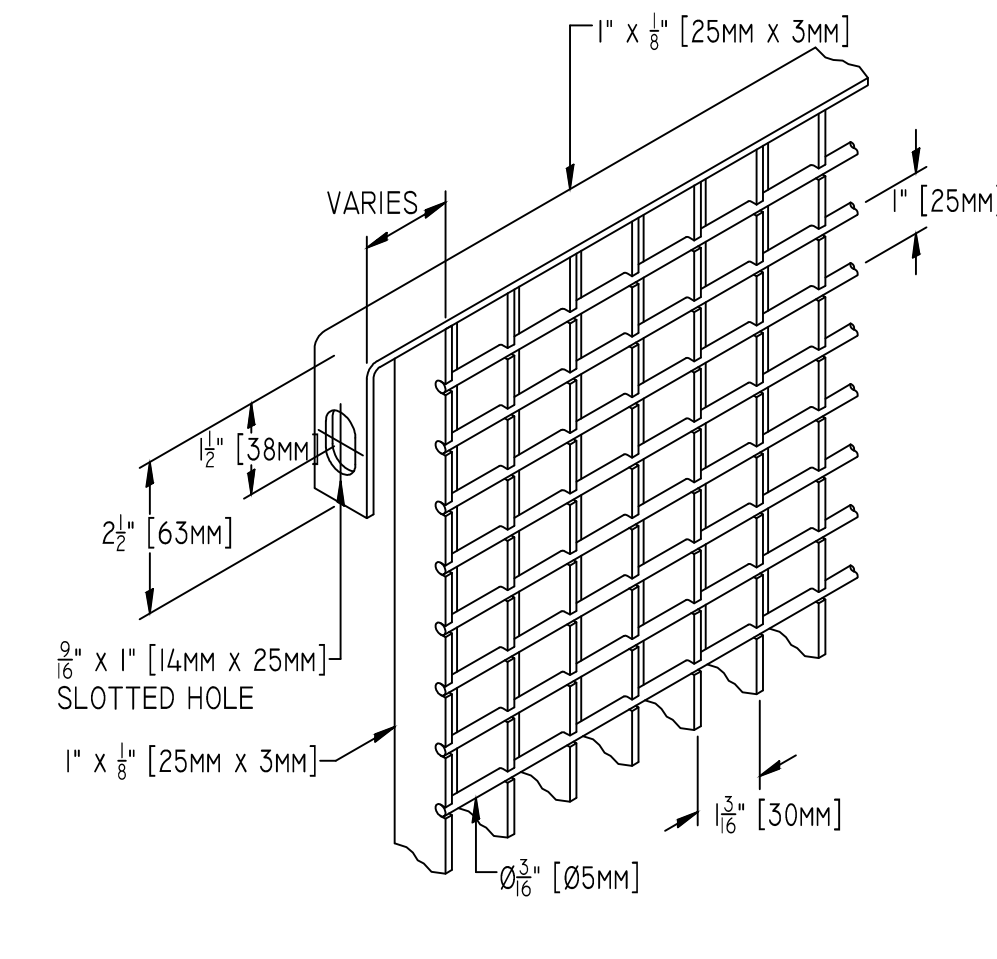
**3**  
AI SCALE: N.T.S.  
PANEL DETAIL GRIGLIATO "C"  
FOR ATTACHMENT BRACKETS



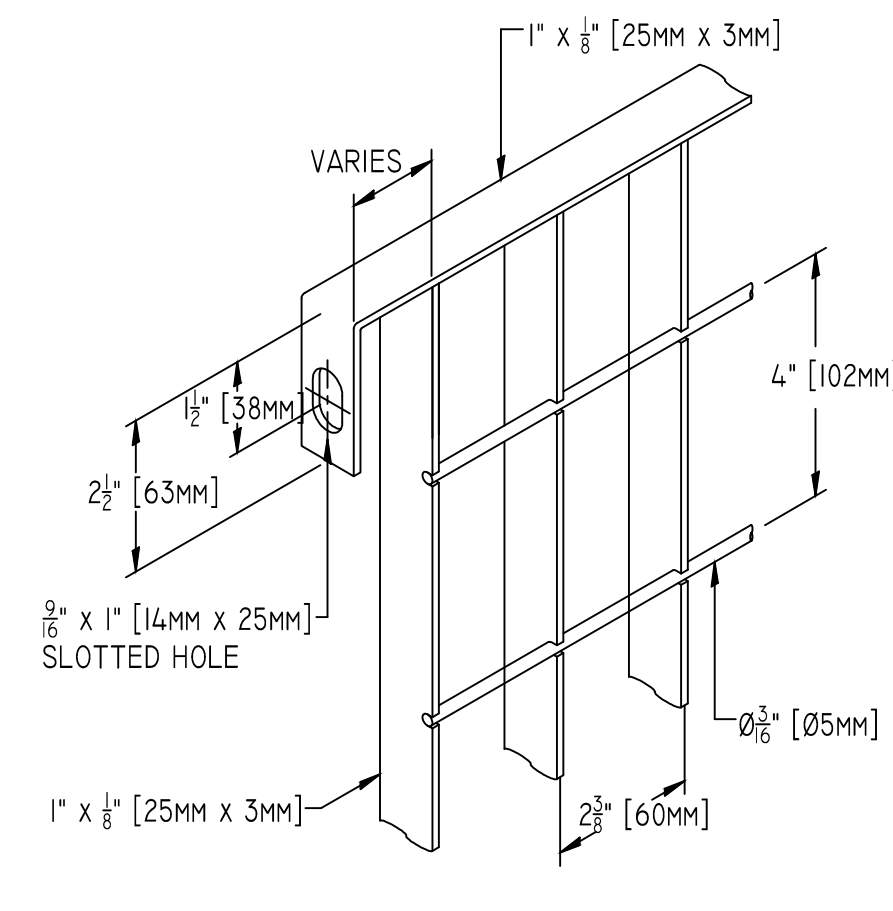
**4**  
AI SCALE: N.T.S.  
PANEL DETAIL GRIGLIATO "D"  
FOR ATTACHMENT BRACKETS



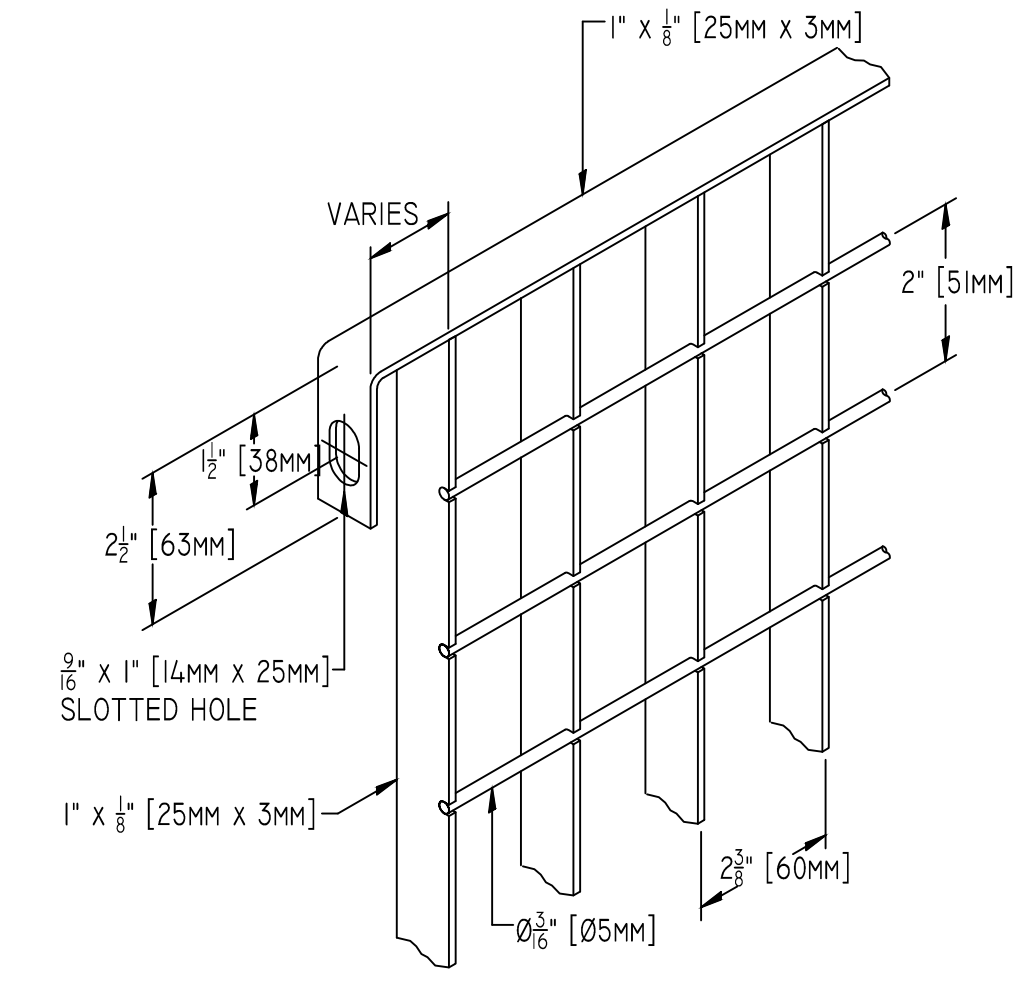
**5**  
AI SCALE: N.T.S.  
PANEL DETAIL GRIGLIATO "E"  
FOR ATTACHMENT BRACKETS



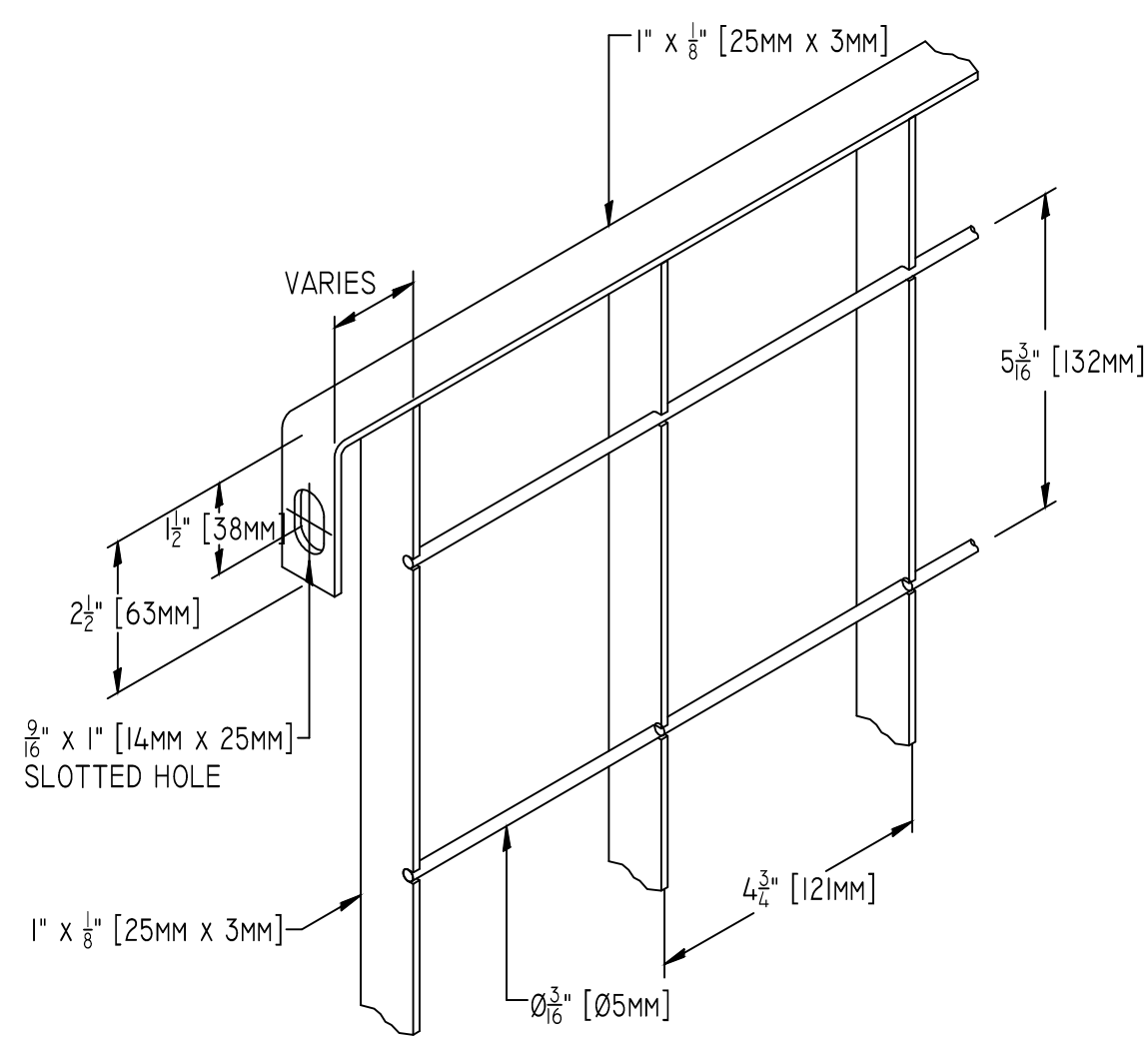
**6**  
AI SCALE: N.T.S.  
PANEL DETAIL GRIGLIATO "F"  
FOR ATTACHMENT BRACKETS



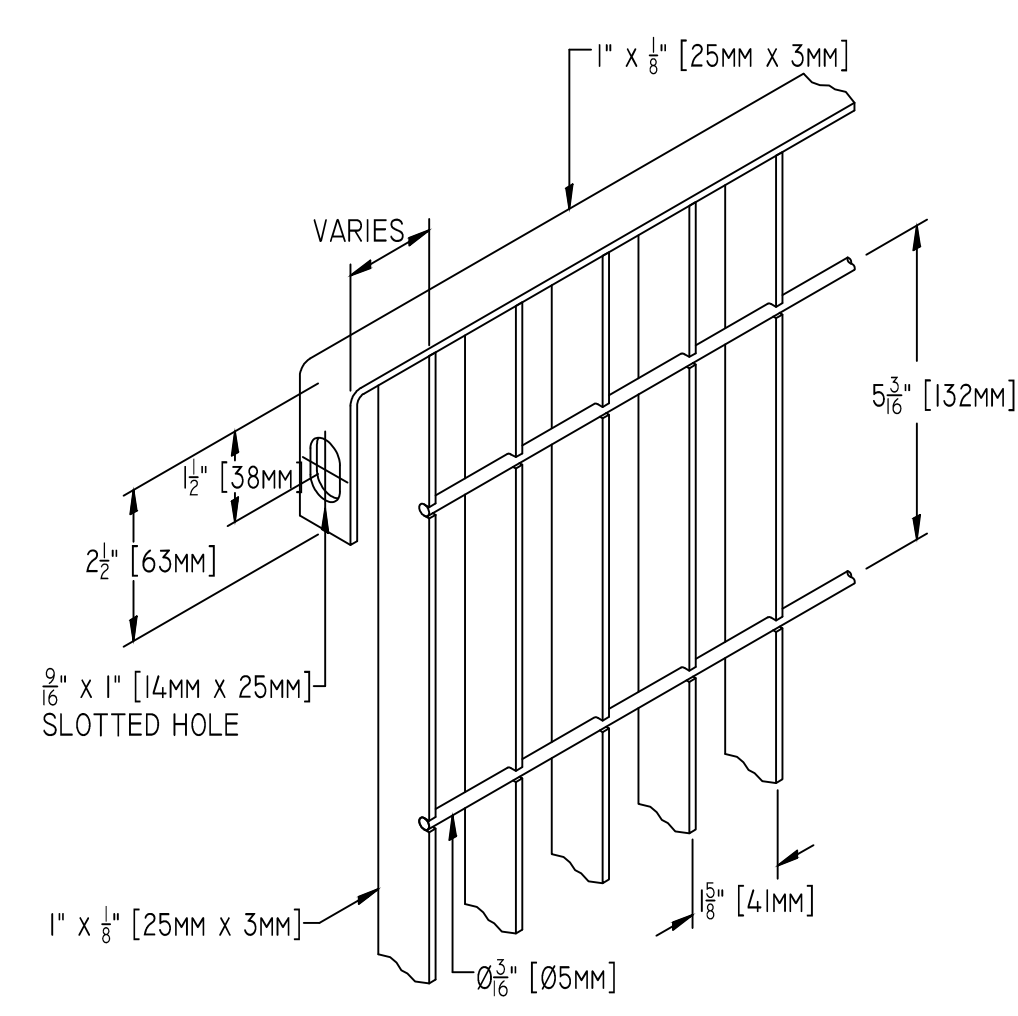
**7**  
AI SCALE: N.T.S.  
PANEL DETAIL GRIGLIATO "G"  
FOR ATTACHMENT BRACKETS



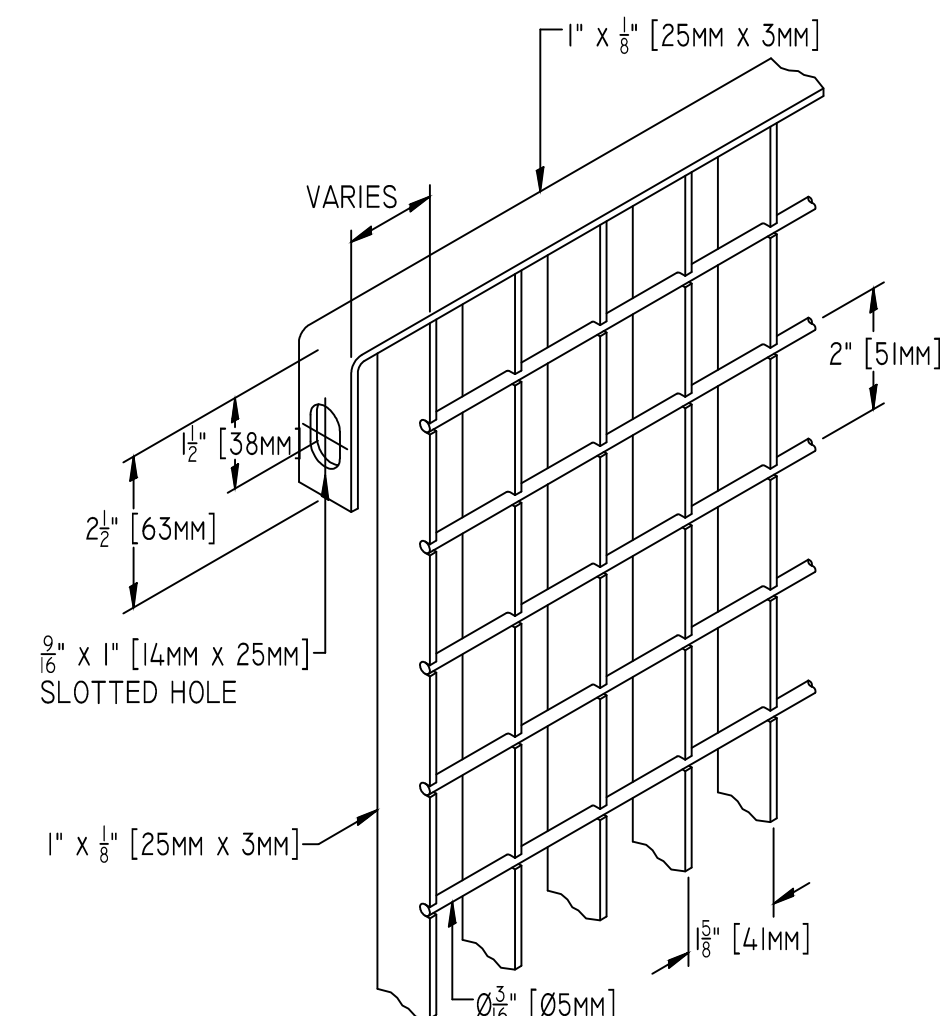
**8**  
AI SCALE: N.T.S.  
PANEL DETAIL GRIGLIATO "H"  
FOR ATTACHMENT BRACKETS



**9**  
AI SCALE: N.T.S.  
PANEL DETAIL GRIGLIATO "J"  
FOR ATTACHMENT BRACKETS



**10**  
AI SCALE: N.T.S.  
PANEL DETAIL GRIGLIATO "K"  
FOR ATTACHMENT BRACKETS



**11**  
AI SCALE: N.T.S.  
PANEL DETAIL GRIGLIATO "L"  
FOR ATTACHMENT BRACKETS

THIS DRAWING IN DESIGN AND DETAIL IS THE SOLE PROPERTY OF METALCO (ATLANTIS PRODUCTS, INC.) AND MAY NOT BE USED FOR ANY PURPOSE WHATSOEVER OTHER THAN FOR OUR MANUFACTURING FACILITY AND INSTALLATION OF OUR PRODUCTS. THIS DOCUMENT OR ANY PART THEREOF MAY NOT BE REPRODUCED IN ANY MANNER WHATSOEVER AND SHALL BE RETURNED TO US UPON REQUEST. ALL RIGHTS RESERVED.

DATE SENT \_\_\_\_\_ INITIALS \_\_\_\_\_

REV. DATE	
REV. BY	
REVISED ITEMS	
REV. NO.	AI
CONTENTS:	PANEL DETAIL GRIGLIATO WITH ATTACHMENT BRACKETS
PROJECT:	TYPICAL GRIGLIATO FENCE SYSTEM WITH BRACKETS
ADDRESS:	
DRAWN BY:	BHD
CHECKED BY:	FC
SCALE:	AS NOTED
DATE:	05/17/11
JOB NO.:	D-GLTO-B
SHEET NO.:	AI

**metalco®**  
566 TERRITORIAL DRIVE - UNIT H  
BOLINGBROOK, IL 60440  
TEL: (630) 971-9680 FAX: (630) 971-9860