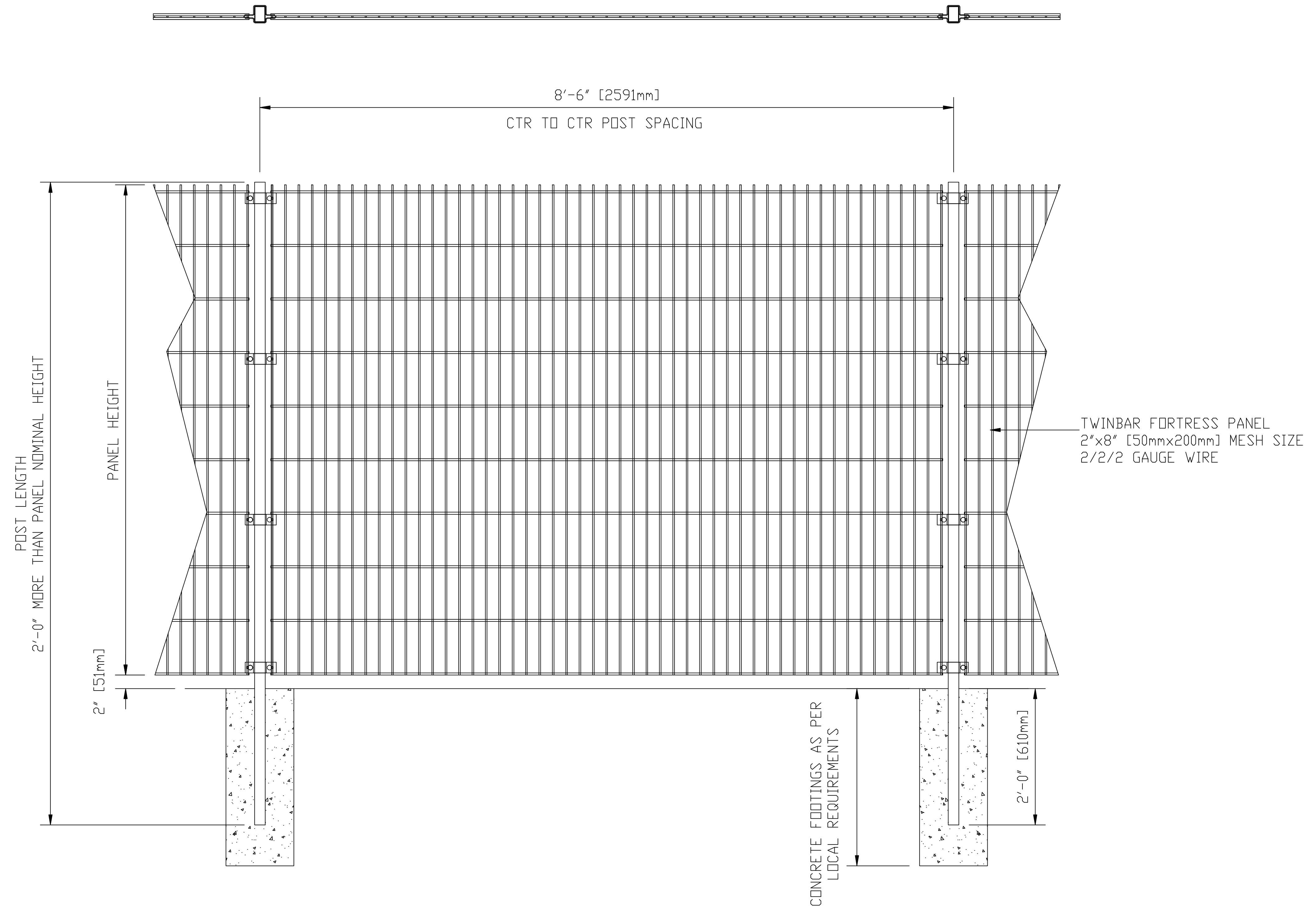
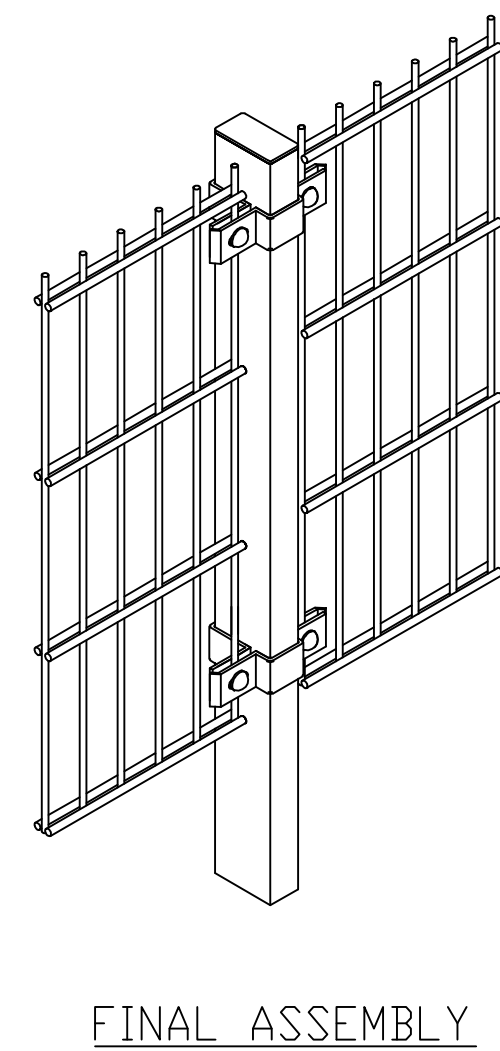
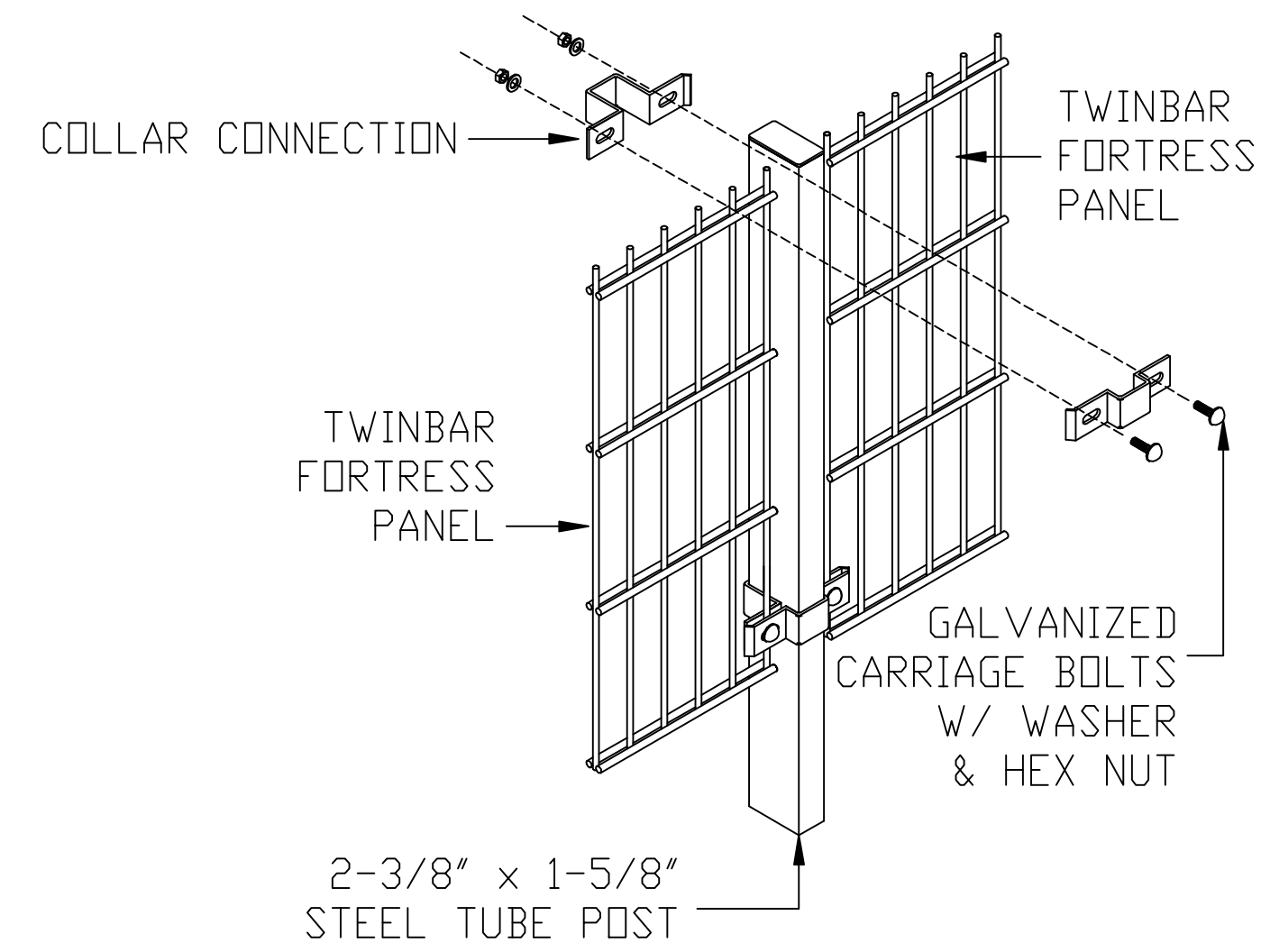




TYPICAL FENCE INSTALLATION



NOTE: ALL WIRE ELECTRO-FORGED AT ALL INTERSECTIONS
FINISH: GALVANIZED AND POLYESTER POWDER COATED.

THIS DRAWING IN DESIGN AND DETAIL ARE SOLE PROPERTY OF METALCO (ATLANTIS PRODUCTS, INC.) AND MAY NOT BE USED FOR ANY PURPOSE WHATSOEVER OTHER THAN FOR OUR MANUFACTURING FACILITY AND INSTALLATION OF OUR PRODUCTS. THIS DOCUMENT NOR ANY PART THEREOF MAY NOT BE REPRODUCED IN ANY MANNER WHATSOEVER AND SHALL BE RETURNED TO US UPON REQUEST. ALL RIGHTS RESERVED.

DATE SENT _____ INITIALS _____

REV NO	REV BY	REV DATE	REVISED ITEMS
△			
△			
△			
△			

CONTENTS:
TWINBAR FORTRESS FENCE SYSTEM INSTALLATION

metalco
8185 SOUTH CASS AVENUE
DARLEN, IL 60561
TEL. (630) 971-9680 FAX. (630) 971-9860

PROJECT: TWINBAR FORTRESS FENCE SYSTEM TYPICAL INSTALLATION
ADDRESS: -

DRAWN BY: F.C. CHECKED BY:

SCALE: N/A DATE: 11.12.07

JOB NO. TW-FORT

SHEET NO. 1 OF 1

AI